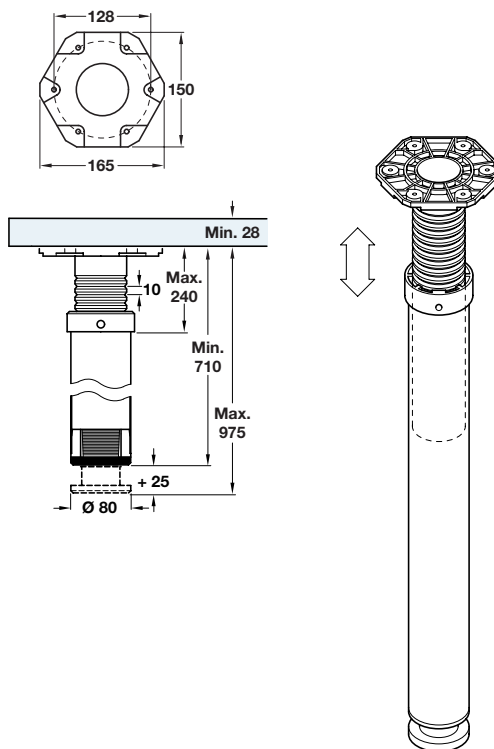


A Adjustable leg, Ø 50 mm

- For supporting worktops, table tops or desks
- Height adjustable between **710 to 920 mm**
- With **+210 mm** height adjustment
- Black aluminium screw fixing mounting plate
- Tubular brushed satin nickel plated steel leg

Finish	Cat. No.
Brushed stainless steel	635.08.971

Order qty: 1 pc



B Adjustable peninsular support leg, Ø 80 mm

- Telescopic assembly allows full length adjustability between **710 to 975 mm**
- Tubular steel leg with black plastic adjustable mounting plate and fittings
- Height adjustment at both ends of the leg
- Black plastic height adjustable foot giving +25 mm adjustment
- **These legs should not be used for stand-alone tables, only for fixed peninsular supports**

Finish	Cat. No.
Chrome	635.22.270

Order qty: 1 pc

TCH-FF 2010, HUK. Dimensional data not binding. We reserve the right to alter specifications without notice.