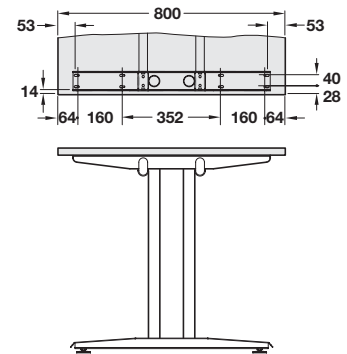


A IDEA+ A modular end frame

- Adjustable for left and right hand
- Vertically adjustable by 170 mm, 650-820 mm
- Consists of:
 - 1 set assembly screws
 - 2 end caps, black plastic
 - 1 end frame
- Silver coloured RAL 9006 plastic coated steel
- Order rails separately to suit desk width required, shown on page 52

	600 mm	800 mm	Free standing
Cat. No.	633.00.212	633.00.222	633.00.200

Order qty: 1 pc



B IDEA+ T modular end frame

- For desktop depth 800 mm
- Adjustable for left or right hand
- With 2 adjustable screws, levelling adjustment 720-740 mm
- Consists of:
 - 1 set of assembly screws
 - 2 end caps, black plastic
 - 1 end frame
- Plastic coated steel
- Order rails separately to suit desk width required, shown on page 52

Finish	Cat. No.
Silver coloured RAL 9006	633.02.222

Order qty: 1 pc

TCH-FF 2010, HUK. Dimensional data not binding. We reserve the right to alter specifications without notice.