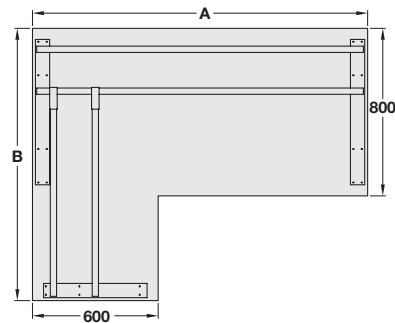


A IDEA+ C modular end frame

- Adjustable for left or right hand
- Vertically adjustable from 650-850 mm in 20 mm increments
- Consists of: 1 set of assembly screws
2 end caps, black plastic
1 end frame
- Silver coloured RAL 9006 plastic coated steel
- Order rails separately to suit desk width required, shown on page 52

| | 600 mm | 800 mm | 1000 mm | Free standing |
|----------|------------|------------|------------|---------------|
| Cat. No. | 633.01.212 | 633.01.222 | 633.01.232 | 633.01.200 |

Order qty: 1 pc



IDEA + C desk frame set

- For corner desks
- Consists of end frames, additional 90° joints and top rails for desk-tops
- All parts are symmetric for left or right handed design
- **Further information on request**



B IDEA+ side panel

- For IDEA+ C and T desk systems
- Consists of 2 parts to be clipped on one or both sides
- Height adjustable
- Silver coloured RAL 9006 plastic coated steel

| | Cat. No. |
|------------|------------|
| Side panel | 633.01.290 |

Order qty: 1 set