

**Height adjustment in the leg**

**Adjustment range 110 mm:** With 24 mm table top thickness, from 680 mm to 790 mm

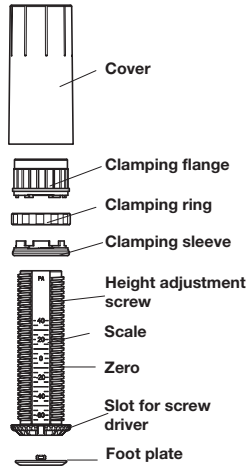
Adjustable without tools, just use a screwdriver  
 Adjustable when bearing a load

With height scale - one turn corresponds to 5 mm

Safety clamping by means of clamping ring

Foot plate does not turn during adjustment

Elegant cover

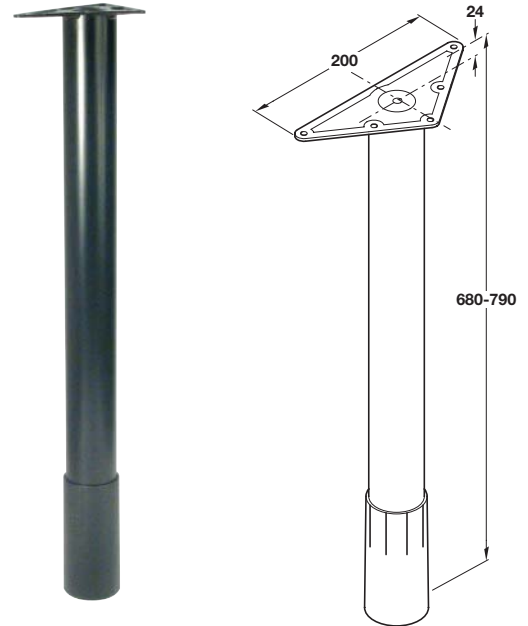


**A Leg**

- For Idea System 300 or for Idea System 400 for 45° corner position
- With screw fixing bracket for attaching the desktop
- With height adjustment **680 to 790 mm**
- Plastic coated steel, chrome-plated steel or stainless steel

Finish	Cat. No.
Silver coloured RAL 9006	654.31.272
Grey RAL 7035	654.11.572
Black RAL 9011	654.11.372
Metallic grey	654.31.572
Chrome-plated steel	654.21.272

Order qty: 1 pc



**B Single leg**

- With screw fixing plate for attaching the desktop
- With height adjustment **680 to 790 mm**
- Plastic coated steel, chrome-plated steel or stainless steel

Finish	Cat. No.
Silver coloured RAL 9006	654.39.272
Grey RAL 7035	654.19.572
Black RAL 9011	654.19.372
Metallic grey	654.39.572
Chrome-plated	654.29.272

Order qty: 1 pc