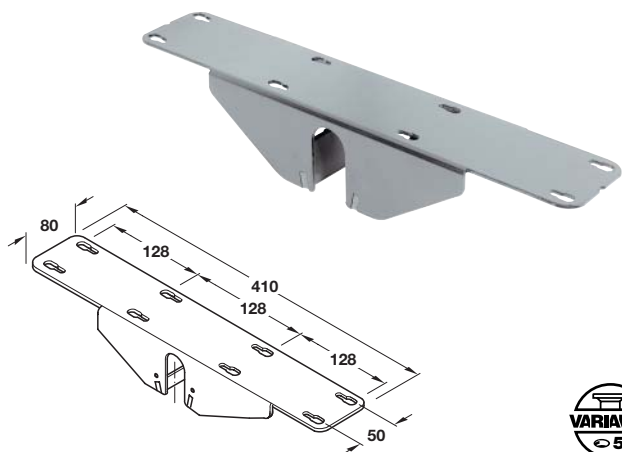
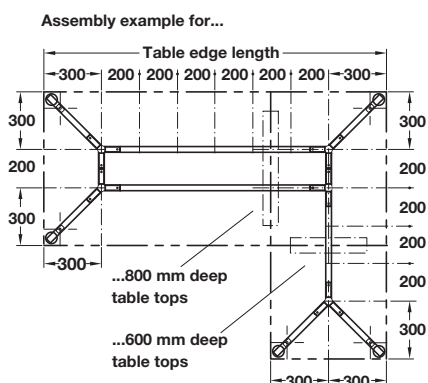


Desktop supports are used for each desktop joint, supports are fitted according to the desktop thickness and length

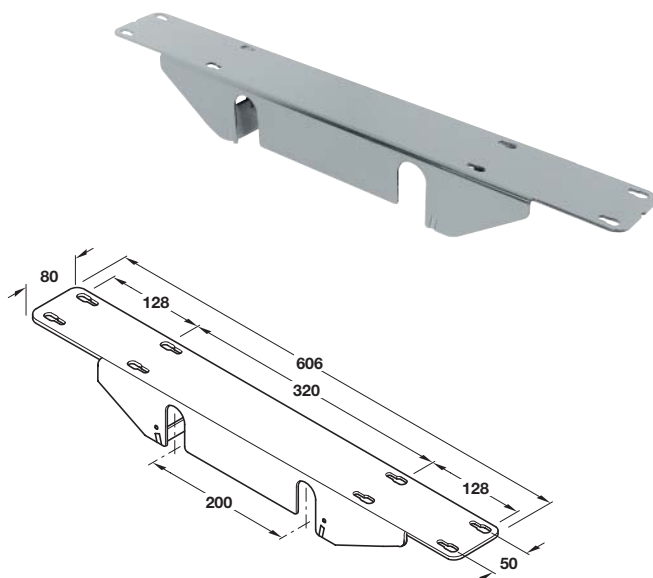


### A System 300 desktop support to stabilise desk top, 600 mm deep

- For stabilising the table top
- Recommended for each table top joint
- Fixing with Varianta screws or with raised head screws
- Silver coloured RAL 9006 plastic coated steel

	Cat. No.
Desktop support	654.46.201

Order qty: 1 pc



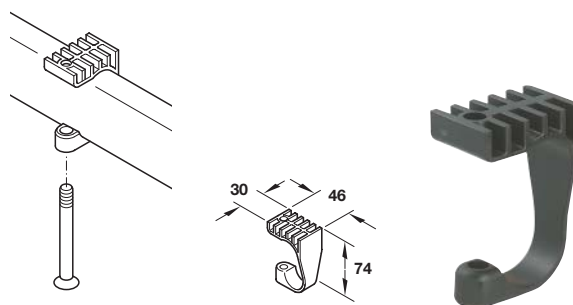
### B System 300 desktop support to stabilise desktop, 800 mm deep

- For stabilising the table top
- Recommended for each table top joint
- Fixing with Varianta screws or with raised head screws
- Silver coloured RAL 9006 plastic coated steel

	Cat. No.
Desktop support	654.14.200

Order qty: 1 pc

Fixings are shown on page 41 for desktop connectors



### C Desktop connector

- Screw fixing
- Use in addition to desktop support
- Black plastic

	Cat. No.
Desktop connector	654.34.510

Order qty: 1 pc

TCH-FF 2010, HUK. Dimensional data not binding. We reserve the right to alter specifications without notice.