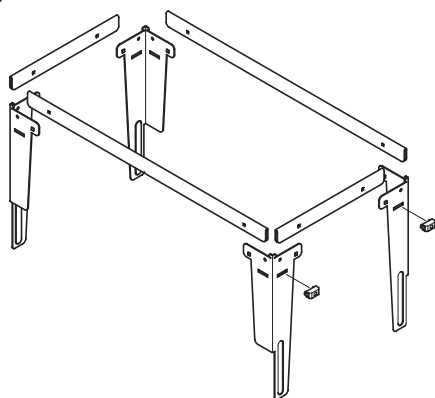


Hook on locking clips



**Item A.**  
 Text removed

**A Suspension filing frame**

- To fit 500 mm or 700 mm deep systems drawer
- 320 mm width, 246 mm height
- Epoxy coated steel

Installation width	Drawer depth	Depth	Light grey (RAL 7035)	Black (RAL 9011)	Silver (RAL 9006)
380 mm	500 mm	483 mm	426.05.506	426.05.306	426.05.206
380 mm	700 mm	683 mm	426.05.512	426.05.312	426.05.202

Order qty: 1 pc

**Discontinued**  
 For 426.05.306 use alt. no. 426.05.307  
 For 426.05.506 use alt. no. 426.05.207

**B Hanging rail**

- For subdividing frames into required filing sizes
- Epoxy coated steel

Finish	Cat. No.
Light grey (RAL 7035)	425.12.520
Black (RAL 9011)	425.12.320
Silver (RAL 9006)	425.12.220

Order qty: 1 pc

**C Suspension filing frame**

- For hanging A4 suspension files or folders, hanging dimension 330 mm
- Installation width: 380 mm
- Height: 250-280 mm (adjustable)
- Black RAL 9011 plastic
- The suspension filing frames are disassembled for transport and can be easily assembled ready for use. The side sections can be inserted into the front at 6 different heights at intervals of 5 mm
- Please note: additional front panel supports must be mounted for drawer panel heights of 187 mm and above

Installation depth	Cat. No.
350 mm	429.76.350

Order qty: 1 pc

**Discontinued** ●  
**Discontinued when stock = 0** +