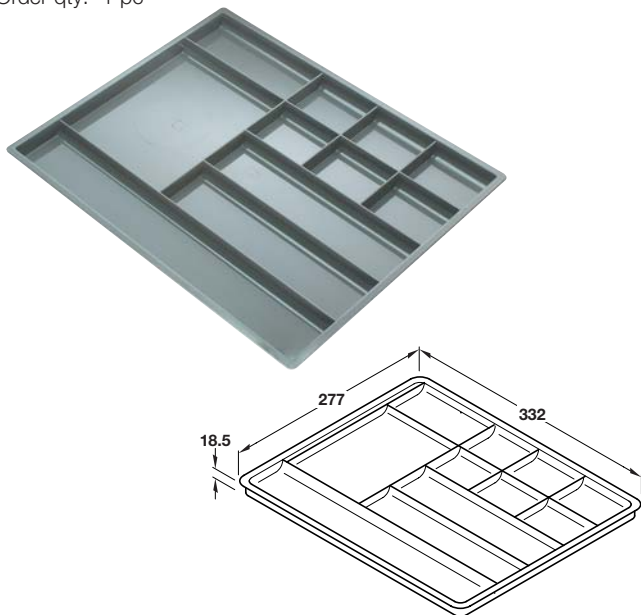


A Pencil tray with eight compartments

- Plastic

Finish	Cat. No.
Anthracite	818.03.054

Order qty: 1 pc

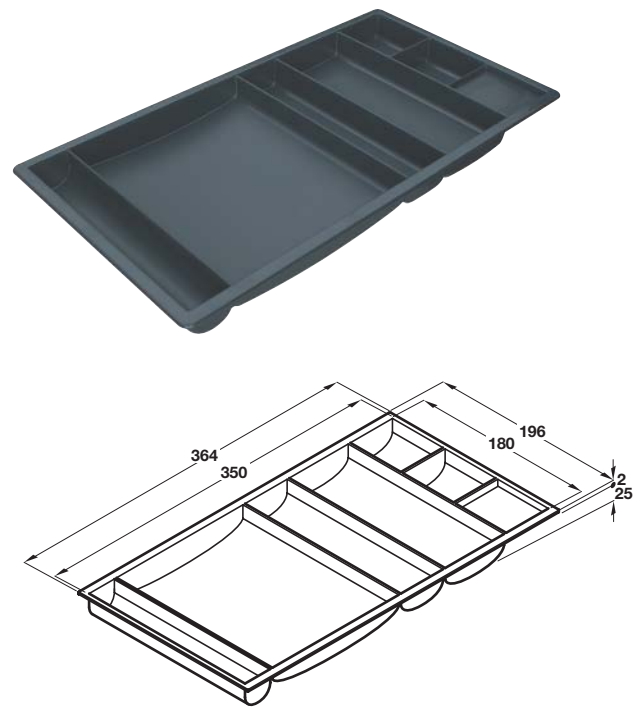


B Pen tray with eleven compartments

- Plastic

Finish	Cat. No.
Anthracite	818.04.051

Order qty: 1 pc

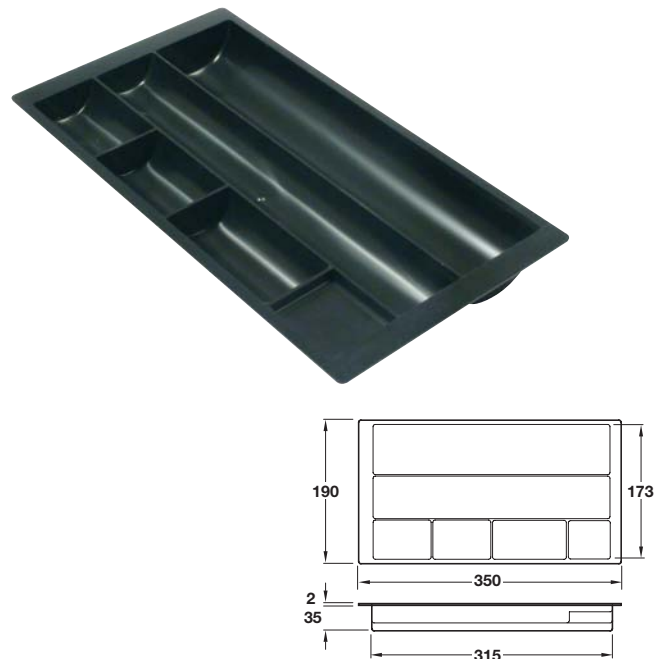


C Pen tray with seven compartments

- Suitable for metal sided drawers as shown in **Section 6**
- Black plastic

	Cat. No.
Pen tray	818.05.030

Order qty: 1 pc



D Pen and pencil tray with six compartments

- Plastic

Finish	Cat. No.
Black	429.58.340

Order qty: 1 pc

TCH-FF 2010, HUK. Dimensional data not binding. We reserve the right to alter specifications without notice.