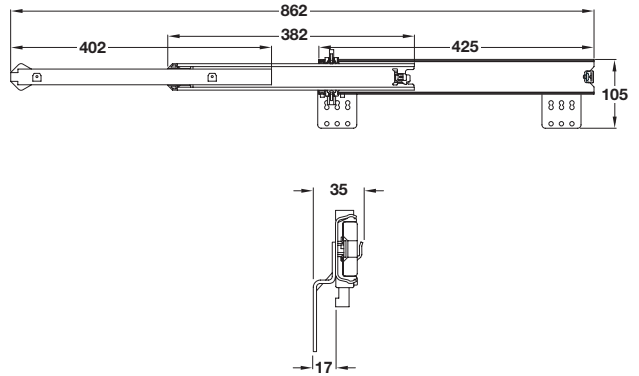


A Variant S-eco filing frame

- Steel systems filing frame
- Pre-drilled ready for installation behind a drawer front if required
- Plastic edge protection and corner mouldings
- Black epoxy coated steel

Width	Installation width	Cat. No.
713 mm	782 mm	425.26.348
913 mm	982 mm	425.26.349
1113 mm	1182 mm	425.26.350

Order qty: 1 pc



B Drawer runners for S-eco system

- Double 'Interlock' anti tilt function
- Designed for Variant S-eco frames shown left
- Black zinc-plated steel

	Cat. No.
Drawer runners	424.74.350

Order qty: 1 pair