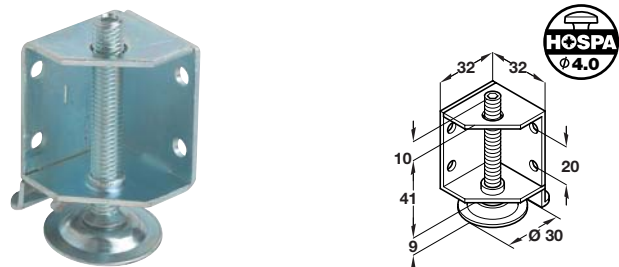


### A Plinth adjuster with supporting bracket

- Adjustable from above through  $\text{Ø } 12 \text{ mm}$  aperture in the cupboard floor
- 25 mm adjustment
- Maximum load carrying capacity **130 kg**
- Screw fixing
- Minimum installation height: 100 mm
- Galvanized steel, M10 x 100 mm spindle with swivelling base plate

	Cat. No.
Plinth adjuster	637.30.941

Order qty: 1 pc



### B Plinth adjuster with bracket

- Adjustable from above through M8 thread, using allen key
- 8 - 9 mm height adjustment
- Maximum load carrying capacity **150 kg**
- Screw fixing
- Left or right handed
- Galvanized steel

	Left hand	Right hand
Cat. No.	637.23.911	637.23.910

Order qty: 1 pc



### C Protective cap

- Press fits onto  $\text{Ø } 30 \text{ mm}$  base plate
- Transparent plastic

	Cat. No.
Protective cap	637.02.090

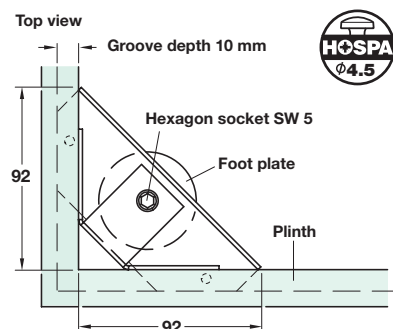
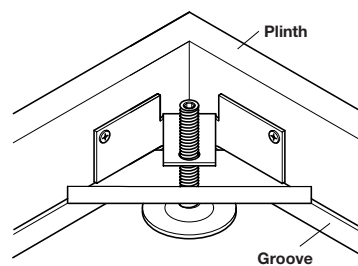
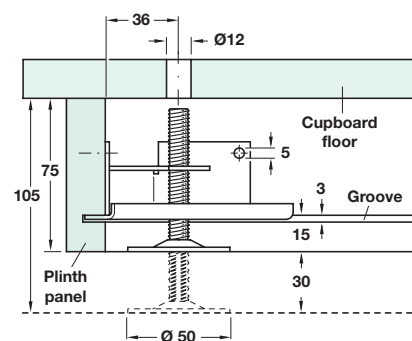
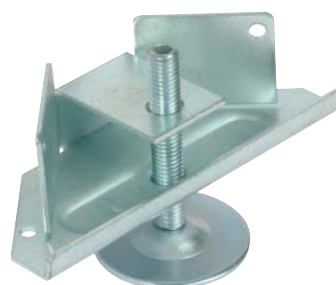
Order qty: Multiples of 100 pcs



**Important note:** Unless otherwise indicated fixing screws are not included and must be ordered separately.

The symbol shown next to the drawing indicates the type and size of screw required.

**Fixing materials** can be found in **Section 11** from page 3.



### D Plinth adjuster with bracket

- For cabinet plinth
- For insertion in a groove and screw fixed
- Adjustable from above through  $\text{Ø } 12 \text{ mm}$  aperture in the cupboard floor
- 30 mm adjustment
- Maximum load carrying capacity **150 kg**
- M10 x 71 mm threaded spindle with SW 5 socket head and swivelling  $\text{Ø } 50 \text{ mm}$  base plate
- Galvanized steel

	Cat. No.
Plinth adjuster	637.23.900

Order qty: 1 pc