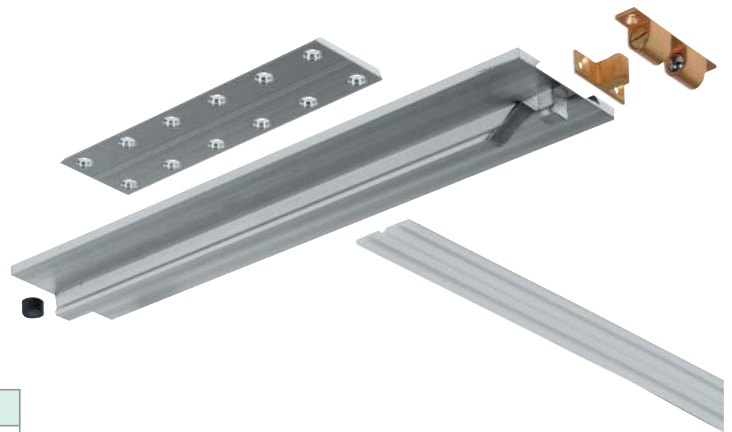


A TKB drop leaf table fitting

- Comprising:
 - 1 Sliding support, 360 mm long, silver anodised aluminium
 - 1 guide profile, 180 mm long, silver anodised aluminium
 - 2 flexible hinges, each 500 mm long, clear plastic
 - 1 double ball catch, bright brass
 - 1 stop buffer, rubber

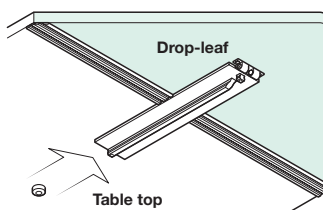
• Example measurements:

- Drop leaf depth approx. 250 mm.
- One fitting has to be installed at intervals of 600 mm width
- Maximum load carrying capacity **20 kg**

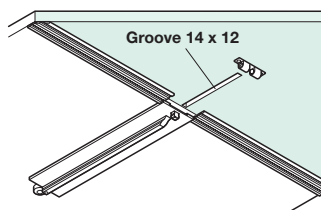


	Cat. No.
Table fitting	642.40.008

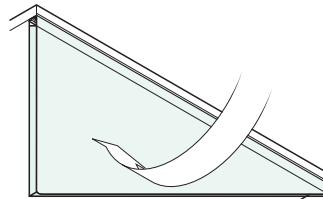
Order qty: 1 set



The drop-leaf is raised, the sliding support extended



The drop-leaf is raised, the sliding support is retracted



The drop-leaf is folded away, the ball catch engaged on the sliding profile

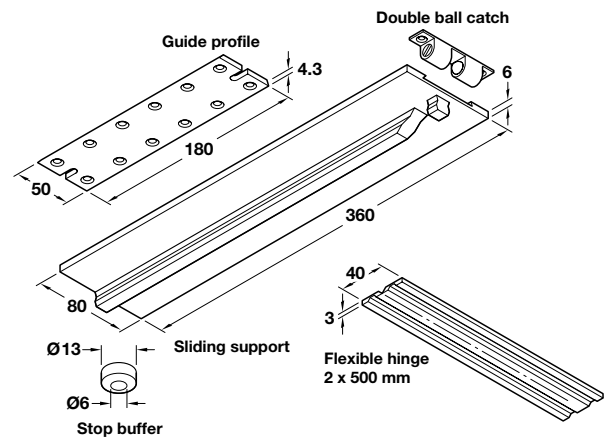
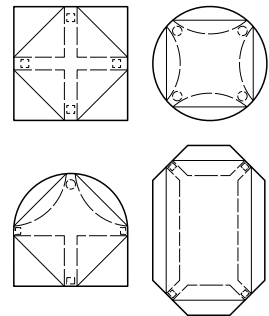
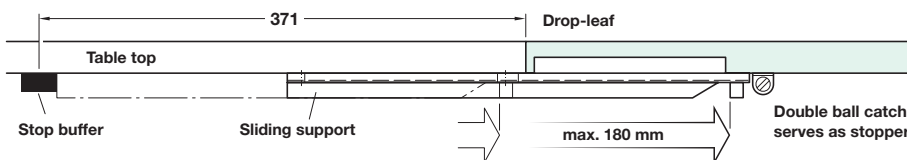
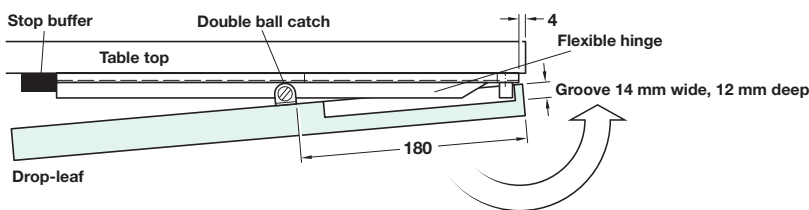


Table tops extended or folded



Installation



Possible table edge profiles

