

A Folding table fitting, T-frame

- Tubular steel
- Feet with rivet-mounted angled skids
- Locks in position, open and closed
- Steel legs with zinc-plated steel locking fitting
- *Minimum table length is 1360 mm but legs will overlap

Finish	Cat. No
Polished chrome	642.85.200
Black	642.85.300

Order qty: 1 set (for 1 table)

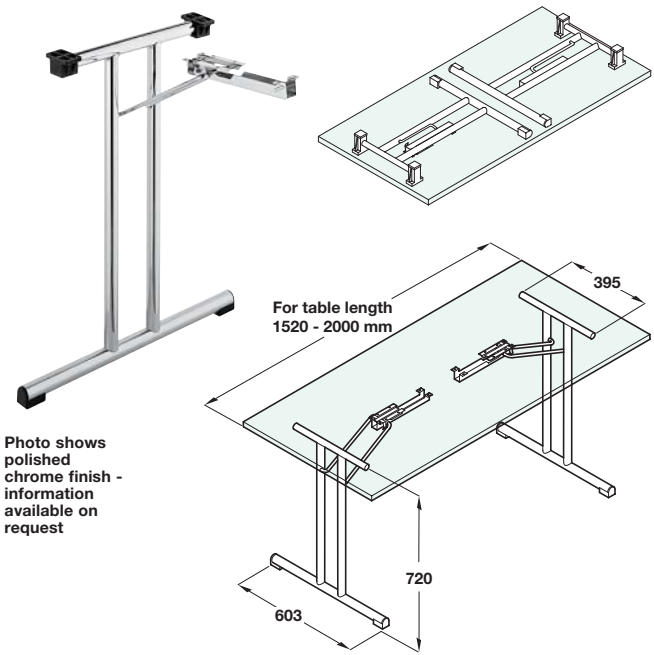


Photo shows polished chrome finish - information available on request

C Folding table fitting, T-frame

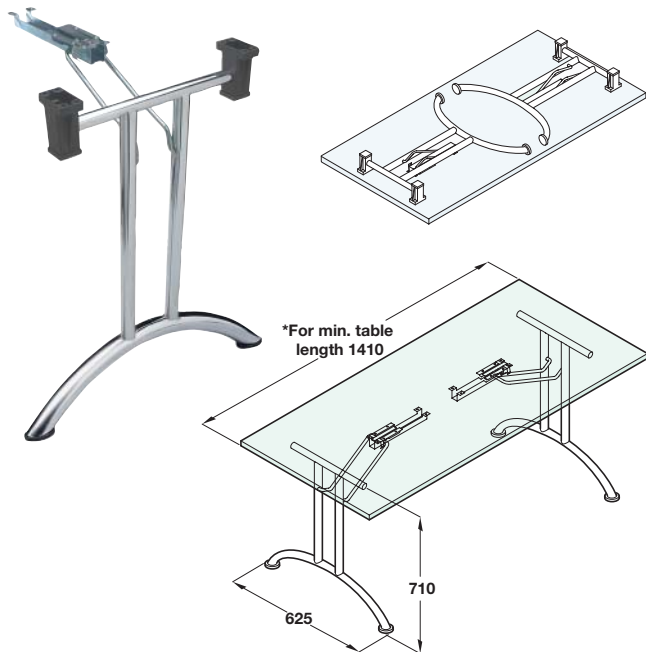
- Tubular steel, Ø 35 x 1.5 mm
- For table length: Min. 1520 mm, max. 2000 mm
- Height when folded: 40 mm (without table top)
- Adjustable glides +22 mm
- Locks in position, open and closed
- Plastic-coated zinc-plated steel with black plastic components

Finish	Cat. No.
Silver coloured (RAL 9006)	642.84.951

Order qty: 1 set (for 1 table)

7

Castors, Feet, Legs and Table Fittings



B Folding table fitting, T-frame

- Tubular steel, curved base
- Feet with rivet-mounted angled skids
- Locks in position, open and closed
- Steel legs with zinc-plated steel locking fitting
- *Minimum table length is 1360 mm but legs will overlap

Finish	Cat. No
Polished chrome	642.85.210

Order qty: 1 set (for 1 table)

TCH-FF 2010, HUK. Dimensional data not binding. We reserve the right to alter specifications without notice.