

Table Bases

Folding Table Legs

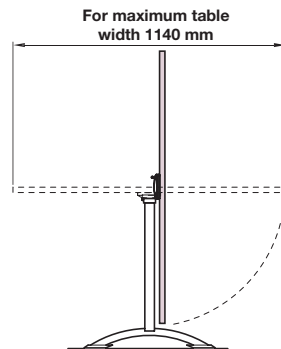
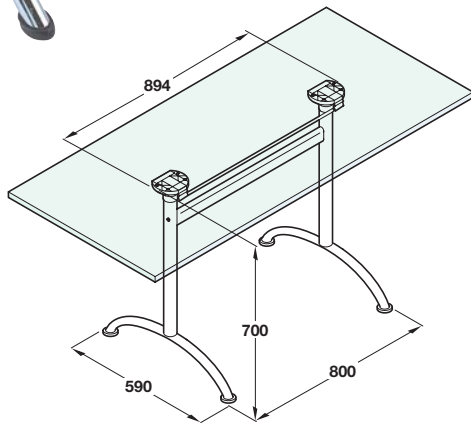


Important note: Unless otherwise indicated fixing screws are not included and must be ordered separately.

The symbol shown next to the drawing indicates the type and size of screw required.

Fixing materials can be found in **Section 11** from page 3.

Carrying capacity is dependent on the type of material, size and weight of the construction

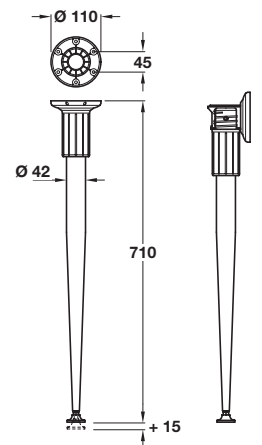
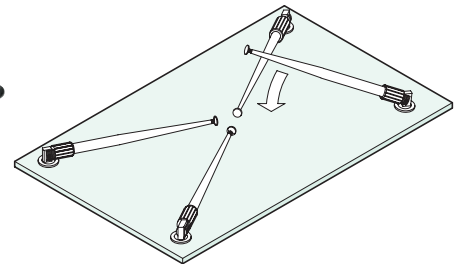


A Folding table legs

- With curved base
- Tubular steel

Finish	Cat. No.
Chrome-plated	638.32.210

Order qty: 1 pc



B Tapered leg, 710 mm high, Ø 42 mm

- With black steel/plastic height adjusting foot giving +15 mm adjustment
- With zinc alloy folding mechanism, sleeve and screw fixing mounting plate
- Fixing materials included
- Steel with black plastic foot

Finish	Cat. No.
Silver coloured RAL 9006	635.64.271

Order qty: 1 pc

TCH-FF 2010, HUK. Dimensional data not binding. We reserve the right to alter specifications without notice.