

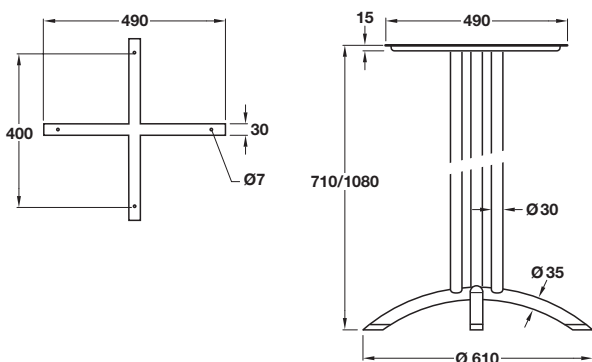


**Important note:** Unless otherwise indicated fixing screws are not included and must be ordered separately.

The symbol shown next to the drawing indicates the type and size of screw required.

**Fixing materials** can be found in **Section 11** from page 3.

Carrying capacity is dependant on the type of material, size and weight of the construction



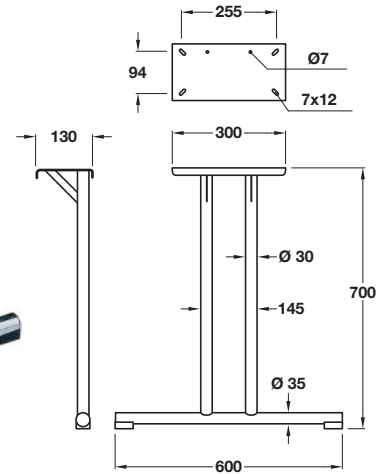
**A Four column table base**

- Screw fixing table top support
- Ø 610 mm base with four legs
- Chrome-plated steel with black plastic glides



Height	Cat. No.
710 mm	638.31.271
1080 mm	638.31.297

Order qty: 1 pc



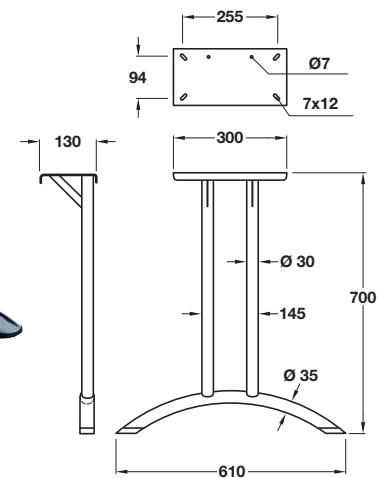
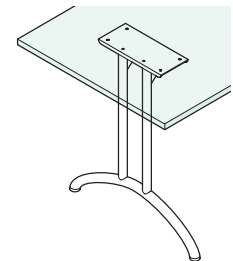
**B Table fitting, T-frame**

- Screw fixing
- Chrome-plated steel with black plastic glides



	Cat. No.
Table fitting	635.51.270

Order qty: 1 pc (=1 T-frame)



**C Table fitting, T-frame**

- Screw fixing
- Chrome-plated steel with black plastic glides



	Cat. No.
Table fitting	635.52.270

Order qty: 1 pc (=1 T-frame)