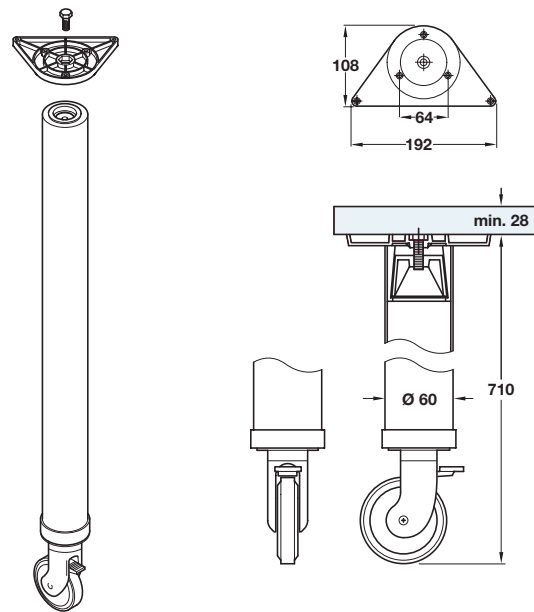
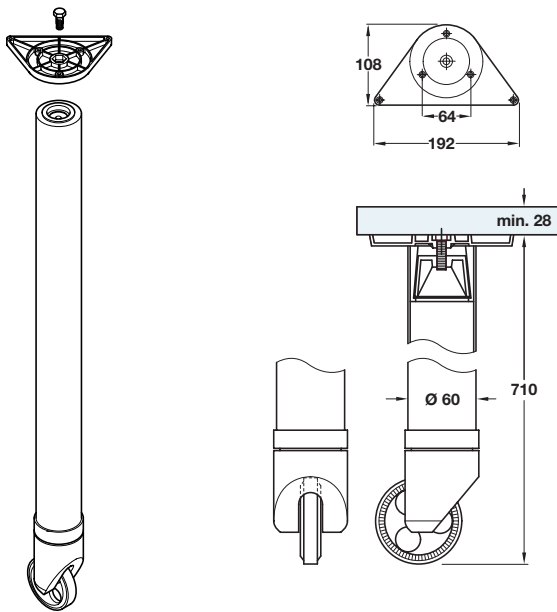




Carrying capacity is dependant on the type of material, size and weight of the construction. Please contact Technical Sales detailing the above information



7

Castors, Feet, Legs and Table Fittings

**A** Table leg with castor, 710 mm high, Ø 60 mm

- Ø 75 mm swivelling castor with brake
- For tables, worktops or desks
- Dark grey zinc alloy, screw fixing mounting plate
- Black plastic castor
- Tubular steel leg

Finish	Cat. No.
Polished chrome	635.16.270

Order qty: 1 pc

**B** Table leg with castor, 710 mm high, Ø 60 mm

- Ø 75 mm swivelling castor with brake
- For tables, worktops or desks
- Dark grey zinc alloy, screw fixing mounting plate
- Beech effect plastic castor with black wheel and brake
- Tubular steel leg

Finish	Cat. No.
Silver coloured RAL 9006	635.65.270

Order qty: 1 pc

TCH-FF 2010, HUK. Dimensional data not binding. We reserve the right to alter specifications without notice.