

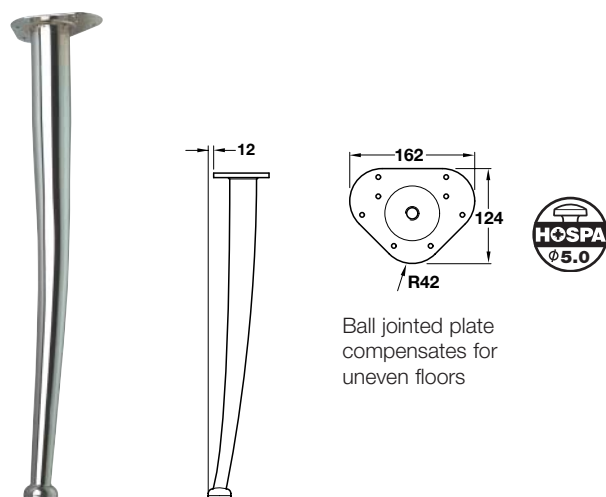
**A Square table leg, 60 x 60 mm**

- With height adjustable screw giving +25 mm adjustment
- Dark grey zinc alloy screw fixing mounting plate
- Fixing materials included
- Black plastic adjuster foot
- 60 x 60 mm steel leg

Height	710 mm	870 mm
Polished chrome-plated	635.59.271	635.59.487
Silver coloured (RAL 9006)	635.59.272	-
Black	635.59.371	-
Satin steel	635.59.471	635.59.571

Order qty: Multiples of 4 pcs

Carrying capacity is dependant on the type of material, size and weight of the construction. Please contact Technical Sales detailing the above information

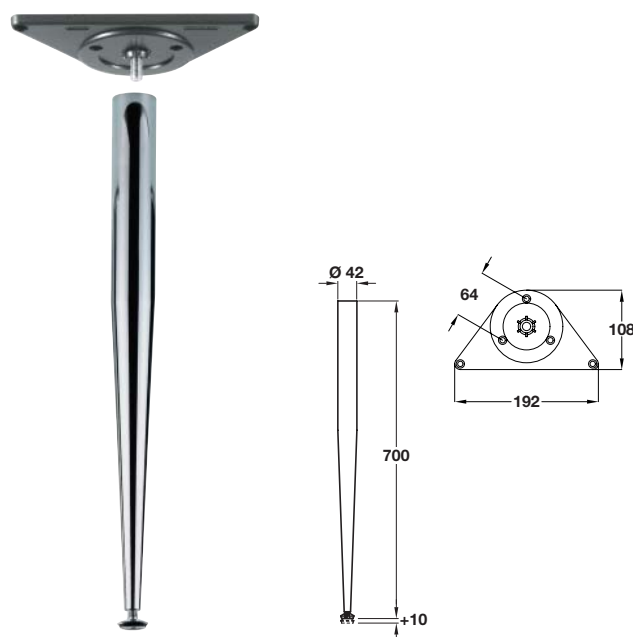


**B Curved leg, 710 mm high, Ø 60 mm**

- With black plastic height adjusting screw giving +20 mm adjustment
- Steel screw fixing mounting plate welded to the leg
- Tubular steel leg

Finish	Cat. No.
Polished chrome-plated	635.42.272
Matt nickel-plated	635.42.672

Order qty: 1 pc

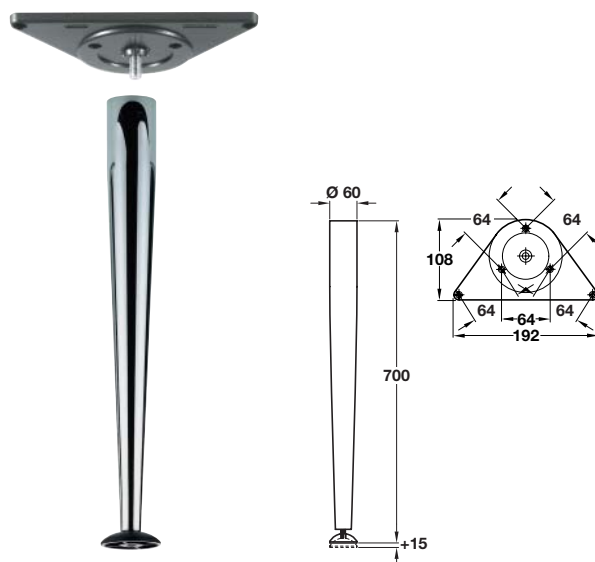


**C Conical leg, 700 mm high, Ø 42 mm**

- With steel/plastic height adjustable screw giving +10 mm adjustment
- Dark grey zinc alloy screw fixing mounting plate
- Fixing materials included
- Tubular steel leg

Finish	Cat. No.
Polished chrome-plated	635.44.271
Stainless steel coloured/clear lacquered	635.44.671

Order qty: Multiples of 4 pcs



**D Conical leg, 700 mm high, Ø 60 mm**

- With steel/plastic height adjustable screw giving +15 mm adjustment
- Dark grey zinc alloy screw fixing mounting plate
- Fixing materials included
- Tubular steel leg

Finish	Cat. No.
Polished chrome-plated	635.49.271
Stainless steel coloured/clear lacquered	635.49.671
Silver coloured (RAL 9006)	635.49.971

Order qty: 1 pc

TCH-FF 2010, HUK. Dimensional data not binding. We reserve the right to alter specifications without notice.