

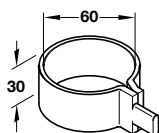
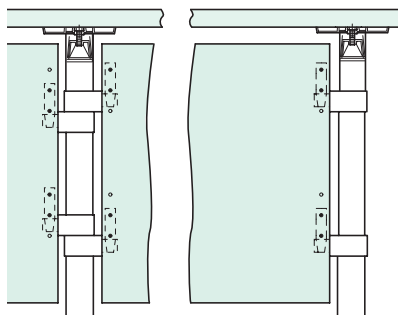
A Additional mounting plate

- For Ø 60 legs, item **A** shown on page 33 or Ø 80 mm legs shown on page 34
- Dark grey zinc alloy

	Cat. No.
Additional mounting plate	635.06.016

Order qty: 1 pc

The Ø 60 mm legs shown on page 33 can be used with the panel clamp and Keku fittings shown below to create a modesty screen



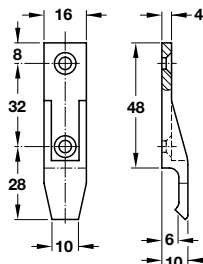
B Panel clamp

- Fits Ø 60 mm table leg
- Black plastic



	Cat. No.
Panel clamp	654.34.390

Order qty: Multiples of 4 pcs



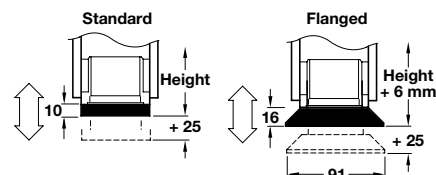
C Keku suspension fitting

- For use with panel clamp
- Black macrolon



	Cat. No.
Suspension fitting	262.49.357

Order qty: Multiples of 50 pcs

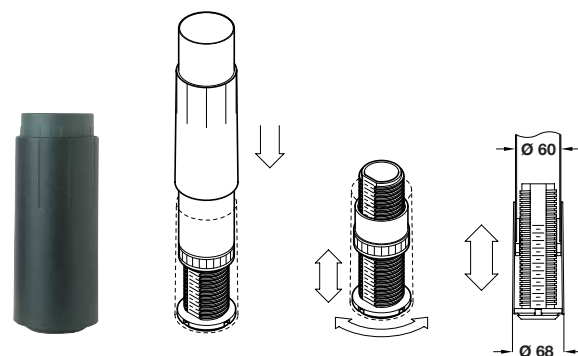


D Flanged adjustable foot

- For Ø 60 mm steel tubes, shown on page 36
- With + 25 mm height adjustment
- This flanged foot will add an additional 6 mm to the height of any Ø 60 mm table leg shown on page 36
- Black plastic

	Cat. No.
Flanged adjustable foot	635.06.030

Order qty: 1 pc



E Adjustable foot

- For Ø 60 mm steel tubes, shown on page 36
- With 110 mm adjustment (+40, -70 mm)
- With height scale, one turn = 5 mm height adjustment, lockable to position with clamping ring
- Adjustable under load
- Foot plate does not revolve with adjustment
- Black, plastic

	Cat. No.
Adjustable foot	635.06.060

Order qty: 1 pc

TCH-FF 2010, HUK. Dimensional data not binding. We reserve the right to alter specifications without notice.