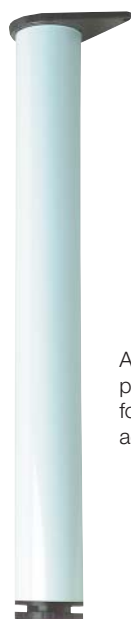
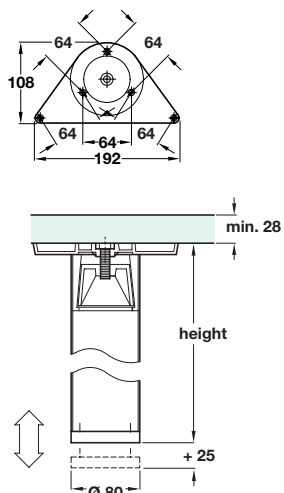


# Legs Legs for Worktops and Tables, Fixing Plates

Carrying capacity is dependant on the type of material, size and weight of the construction. Please contact Technical Sales detailing the above information



All legs have a black plastic height adjustable foot giving **+25 mm** adjustment

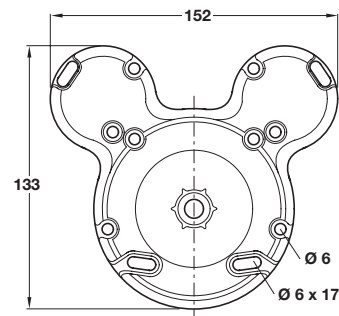


## A Leg, 710 mm high, Ø 80 mm

- For supporting worktops, table tops or desks
- Dark grey zinc alloy screw fixing mounting plate and fixings included
- Tubular steel leg

Finish	Cat. No.
Black	635.07.370
Polished chrome	635.07.273
Stainless steel colour, varnished	635.07.479
Silver coloured RAL 9006	635.07.271
Raw, unassembled	635.07.070*

Order qty: Multiples of 4 pcs (Multiples of 8 pcs\*)



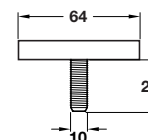
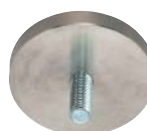
## B Table top connecting plate

- For use with Ø 40 - Ø 80 mm legs
- Can be installed on single table tops or can join two or three table tops
- Fixing screws included
- Zinc alloy



Finish	Cat. No.
Light grey	635.06.017

Order qty: 1 pc



## C Fixing plate for glass table tops

- For use with Ø 60 mm legs show on page 33
- Fixing bolt supplied
- For glueing to the underside of the glass table top
- Steel

Finish	Cat. No.
Stainless steel	635.06.050

Order qty: 1 pc