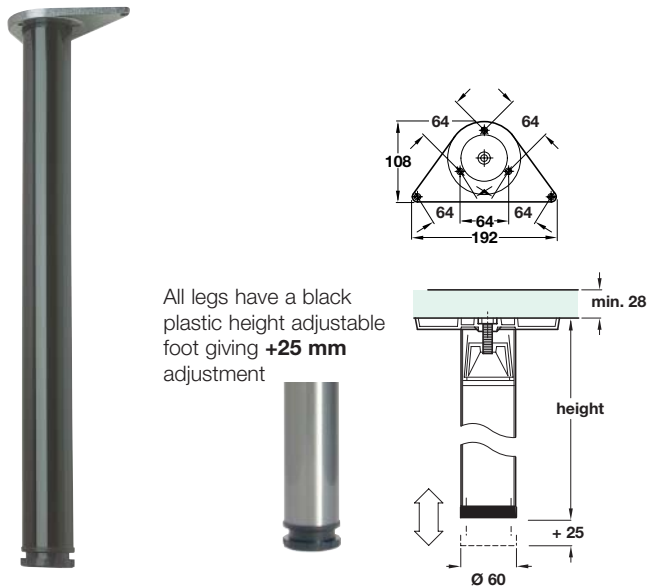
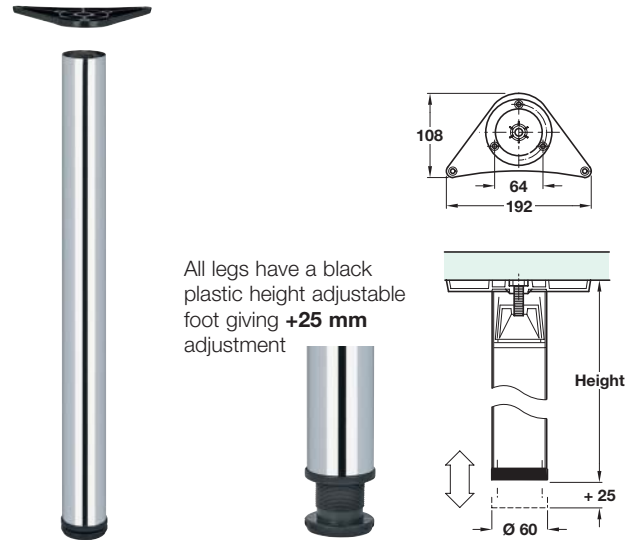


Carrying capacity is dependant on the type of material, size and weight of the construction. Please contact Technical Sales detailing the above information



All legs have a black plastic height adjustable foot giving +25 mm adjustment



All legs have a black plastic height adjustable foot giving +25 mm adjustment

**A Leg, Ø 60 mm**

- 375-570 mm : For peninsular units or low tables
- 690-710 mm : For supporting worktops, table tops or desks
- 870 mm : For supporting worktops or breakfast bars
- Dark grey zinc alloy screw fixing mounting plate and fixings included
- Tubular steel leg

Finish	Cat. No.
<b>375 mm height</b>	
White aluminium RAL 9006	635.06.210
<b>438 mm height</b>	
Polished chrome	635.06.230
<b>470 mm height</b>	
Polished chrome	635.06.249
Matt chrome	635.11.440
<b>510 mm height</b>	
Polished chrome	635.06.220
<b>690 mm height</b>	
Light grey RAL 7035	635.06.552
Black	635.06.356
Polished chrome	635.06.258
White	635.06.758
Silver coloured RAL 9006	635.11.269
<b>710 mm height</b>	
Brown	635.06.178
Grey	635.06.570
White	635.06.776
Black	635.06.374
Polished chrome	635.06.276
Silver colour, RAL 9006	635.11.270
Hammered grey	635.11.571
Stainless steel colour	635.11.970
Raw unassembled	635.06.070*
<b>870 mm height</b>	
White	635.06.785
Black	635.06.383
Polished chrome	635.06.285
Polished chrome	635.06.286
Satin steel	635.11.480

Order qty: Multiples of 4 pcs (Multiples of 16 pcs\*)

**B Table leg, 710 mm high, Ø 60 mm**

- For supporting worktops, table tops and desks
- Dark grey zinc alloy screw fixing mounting plate and fixings included
- Tubular steel

Finish	Cat. No.
Silver colour, RAL 9006	635.24.271
Polished chrome-plated	635.24.273
Black	635.24.371
Stainless steel coloured, clear lacquered	635.24.471

Order qty: Multiples of 4 pcs



TCH+FF 2010, HUK. Dimensional data not binding. We reserve the right to alter specifications without notice.