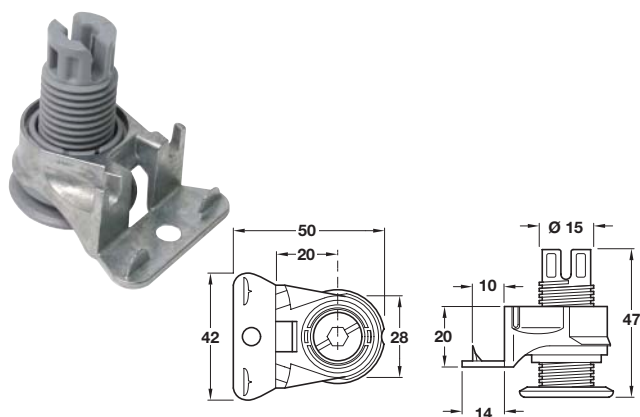


A Integrato G adjustable foot

- For aligning heavy duty wardrobes, bookcases and modular furniture
- Plate has spikes which are easily hammered onto cabinet bottom edge, then secured in position by a countersunk x 18 mm length screw from underneath first and also 2 panhead x 18 mm length screws from the side secondly if required.
- Ø 8 mm through hole in the base of the cabinet, allows you to adjust the leveller from the above, by using a SW6 hex key or both cross and blade screwdriver
- 25 mm adjustment
- Maximum load carrying capacity **175 kg** per foot
- Independent black plastic glide to prevent floor scratching
- **Zinc alloy**

	Cat. No.
Adjustable foot	637.67.910

Order qty: 1 pc

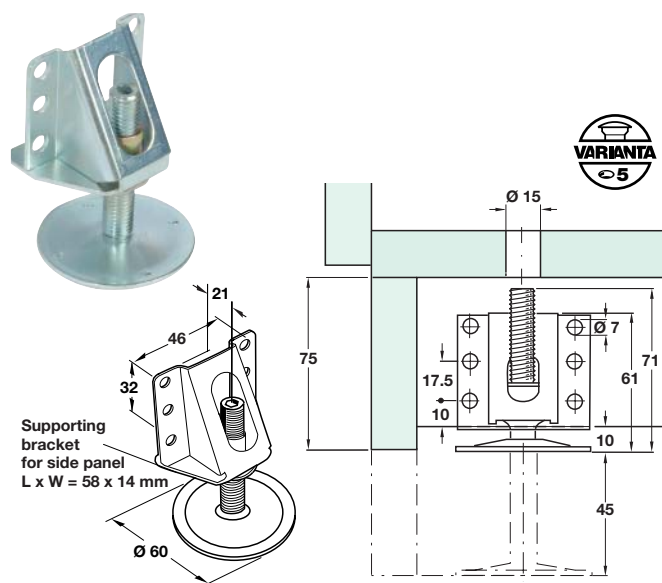


B Integrato G adjustable foot

- For aligning heavy duty wardrobes, bookcases and modular furniture
- Plate has spikes which are easily hammered onto cabinet bottom edge, then secured in position by a countersunk x 18 mm length screw from underneath first and also 2 panhead x 18 mm length screws from the side secondly if required
- Ø 8 mm through hole in the base of the cabinet, allows you to adjust the leveller from the above, by using a S6 mm allen wrench or a 1 x 5.5 mm blade screwdriver
- 25 mm adjustment
- Maximum load carrying capacity **175 kg** per foot
- Independent black plastic glide to prevent floor scratching
- **Plastic**

	Cat. No.
Adjustable foot	637.67.920

Order qty: 1 pc

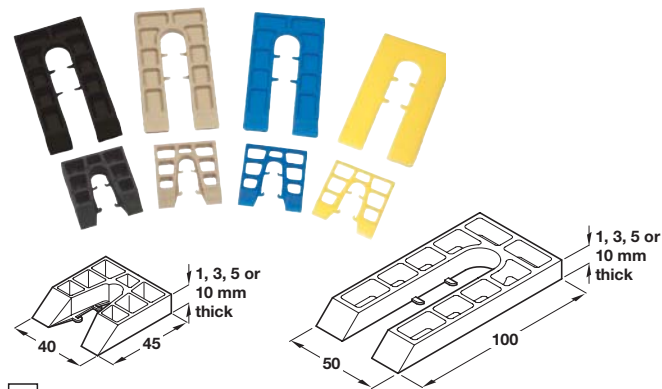


C Partition adjuster with bracket

- Adjustable from above through Ø 15 mm aperture in the cupboard floor
- 45 mm adjustment
- Maximum load carrying capacity **200 kg**
- Screw fixing
- M12 x 65 mm threaded spindle with SW5 socket head and Ø 60 mm swivelling base plate
- Galvanized steel

	Cat. No.
Partition adjuster	637.67.900

Order qty: 1 pc



D Packing shims

- Packs contain light duty (45 x 40 mm) and heavy duty (100 x 50 mm) shims as follows:
- **Small pack** contains:
 - 20x 1, 3 and 5 mm thick light duty shims
 - 10x 10 mm thick light duty shims
 - 10x 1, 3 and 5 mm thick heavy duty shims
- **Large pack** contains:
 - 40x 1, 3 and 5 mm thick light duty shims
 - 20x 10 mm thick light duty shims
 - 20x 1, 3 and 5 mm thick heavy duty shims
 - 10x 10 mm thick heavy duty shims
- Typical applications are window and door frame fixing, cladding supports and dry lining
- Plastic

Pack size	Small	Large
Cat. No.	006.90.960	006.90.961

Order qty: 1 pack

TCH-FF 2010, HUK. Dimensional data not binding. We reserve the right to alter specifications without notice.