

Lid Stays

Automatic Opening Lid Stays

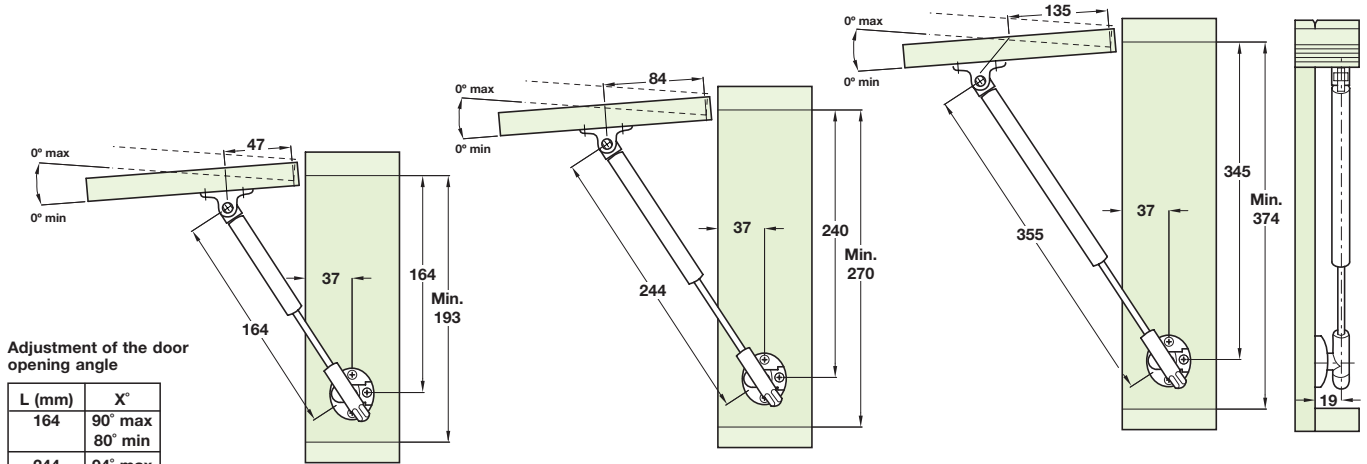
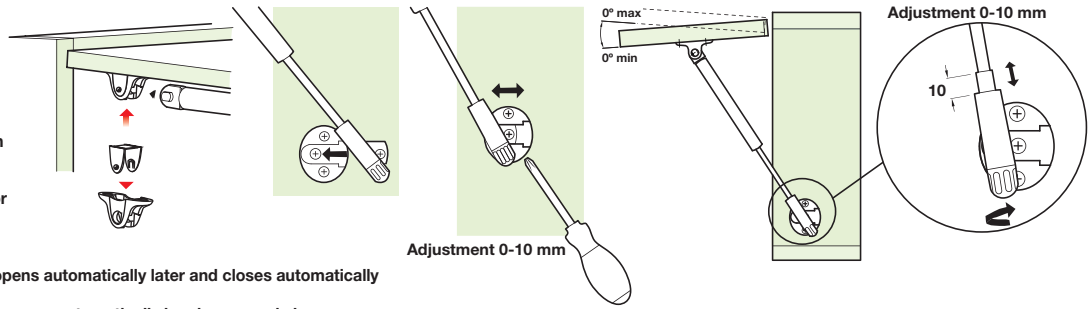
Important:

The door bracket has to be placed in vertical position with the slot facing forwards.

The side bracket has to be placed with the slot in a horizontal position and the open end facing the wall.

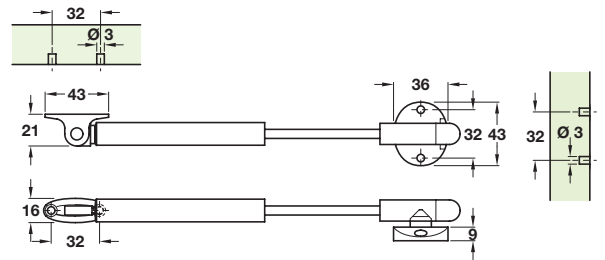
The opening and closing of the door can be changed by adjusting the position of the piston base plate within the slot:

- Forwards adjustment = the door opens automatically later and closes automatically in advance.
- Backwards adjustment = the door opens automatically in advance and closes automatically later.



Adjustment of the door opening angle

L (mm)	X°
164	90° max 80° min
244	94° max 83° min
355	94° max 83° min



6 Stays

A Automatic opening lid stay, 164 mm, 244 mm and 355 mm versions

- Automatic version, once you begin to open the door it continues to open gently and completely by itself
- Adjustment:
Align to nearby doors using the rotary knob placed on the piston base plate
To change the opening and closing time of the door adjust the position of the piston base plate within the slot of the side bracket
- Metal supports nickel-plated for quick assembly
- Fixing screws and guide included

164 mm version		Cat. No.
50N		372.00.705
80N		372.00.704

244 mm version		Cat.No.
50N		372.00.701
80N		372.00.702
100N		372.00.703
120N		372.00.706

355 mm version		Cat. No.
120N		372.00.707

Order qty: 1 set

The table below refers to chipboard or MDF 18 mm doors and aluminium frame doors with glass 4 mm thick. These are experimental results to be checked by the customer

164 mm version								
Door width	450 mm		600 mm		900 mm		1200 mm	
Door height	Kilos	StaysxN	Kilos	StaysxN	Kilos	StaysxN	Kilos	StaysxN
230-250 mm	1.2-1.3	1x 50	1.6-1.8	1x 80	2.4-2.6	2x 50	3.2-3.5	2x 80
251-300 mm	1.3-1.6	1x 80	1.8-2.1	2x 50	2.6-3.2	2x 80	3.5-4.2	2x 80
244 mm version								
Door width	450 mm		600 mm		900 mm		1200 mm	
Door height	Kilos	StaysxN	Kilos	StaysxN	Kilos	StaysxN	Kilos	StaysxN
300-350 mm	1.6-1.8	1x 80	2.1-2.5	1x 80	3.2-3.7	2x 80	4.2-4.9	2x 80
351-400 mm	1.8-2.1	1x 80	2.5-2.8	2x 50	3.7-4.2	2x 80	4.9-5.6	2x 100
401-450 mm	2.1-2.4	2x 50	2.8-3.2	2x 80	4.2-4.7	2x 100	-	-
451-500 mm	2.4-2.6	2x 80	3.2-3.5	2x 80	-	-	-	-
501-550 mm	2.6-2.9	2x 80	3.5-3.9	2x 100	-	-	-	-
551-600 mm	2.9-3.2	2x 100	3.9-4.2	2x 120	-	-	-	-
355 mm version								
Door width	900 mm		1200 mm		1500 mm		1800 mm	
Door height	Kilos	StaysxN	Kilos	StaysxN	Kilos	StaysxN	Kilos	StaysxN
451-500 mm	-	-	-	-	-	-	9.5-10.5	2x 120
501-550 mm	-	-	-	-	8.8-9.7	2x 120	-	-
551-600 mm	-	-	7.7-8.4	2x 120	-	-	-	-
601-650 mm	-	-	-	-	-	-	-	-
651-700 mm	6.8-7.4	2x 120	-	-	-	-	-	-

TCH-FF 2010, HUK. Dimensional data not binding. We reserve the right to alter specifications without notice.