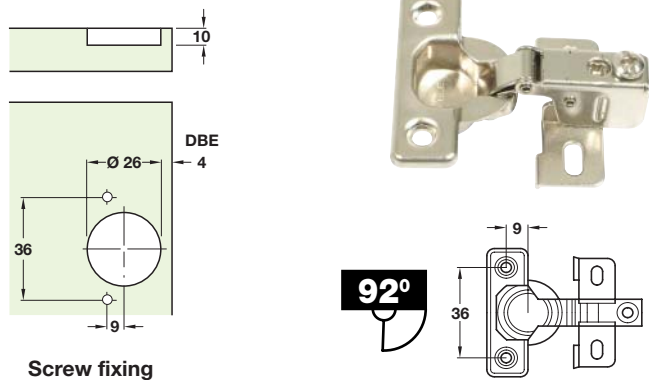


A Cara top lid stay

- Adjustable spring pressure
- For lightweight flaps
- Adjustable for left or right use
- This stay is ideal for use in caravans and campers
- Black or brown plastic with zinc galvanized fixing plate

Housing colour	Cat. No.
Black	373.53.334
Brown	373.53.130

Order qty: 1 pc

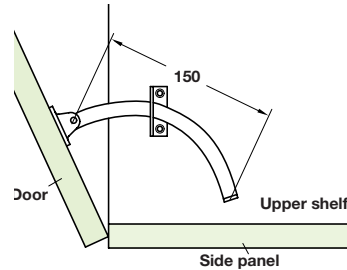
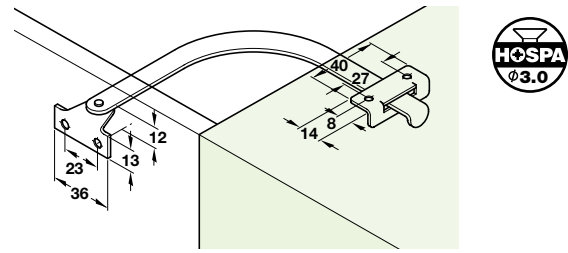


B Face frame hinge

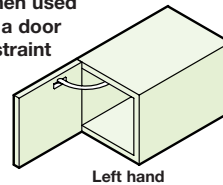
- Ideal for use in caravans and campers
- Opening angle **92°**
- For door thickness **min. 12 - max. 19 mm**
- Ø 26 mm cup
- Screw fixing
- Overlay **9.4 mm**
- Unsprung
- Nickel-plated pressed steel

Cup fixing	Cat. No.
Screw	343.80.720

Order qty: 1 pc

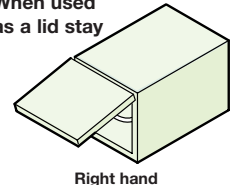


When used as a door restraint



Left hand

When used as a lid stay



Right hand



C Lid stay

- Also for use as a door restraint
- Left and right handed
- Nickel-plated steel

Handed	Cat. No.
Left	371.32.755
Right	371.32.700

Order qty: 1 pc

Mounting screws

Hospa chipboard screws
Pan head
Ø 4.0 mm
with cross slots



Finish: Galvanized steel

Length	Cat. No.
15 mm	015.71.820
17 mm	015.71.839
20 mm	015.31.559

Order qty: Multiples of 1000 pcs

Mounting screws

Hospa chipboard screws
countersunk head
Ø 3.0 mm
with cross-slots



Finish: Zinc-plated steel

Length	Cat. No.
15 mm	015.31.531
17 mm	015.31.540
20 mm	015.31.559

Order qty: Multiples of 1000 pcs