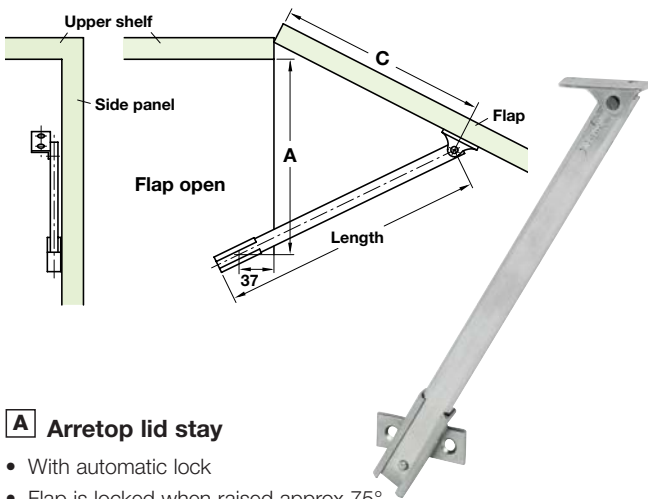
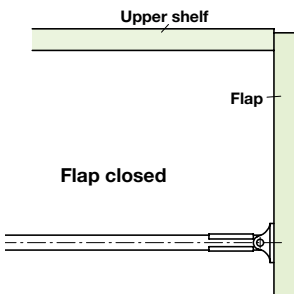


Length	Cabinet depth	Distance A
200 mm	210 mm	150 mm
250 mm	260 mm	180 mm
300 mm	310 mm	230 mm

Determine distance C by trial mounting



A Arretop lid stay

- With automatic lock
- Flap is locked when raised approx 75°
- Raising the flap further disengages the lock allowing it to be closed
- Screw mounting to side panel and lid
- Unhanded design
- Nickel-plated steel lid stay

Length	Cat. No.
200 mm	373.70.611
250 mm	373.70.620
300 mm	373.70.639

Order qty: 1 pc

Mounting screws

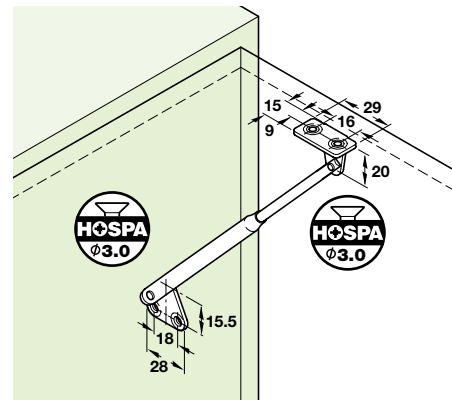
Hospa chipboard screws countersunk head Ø 3.0 mm with cross-slots



Finish: Zinc-plated steel

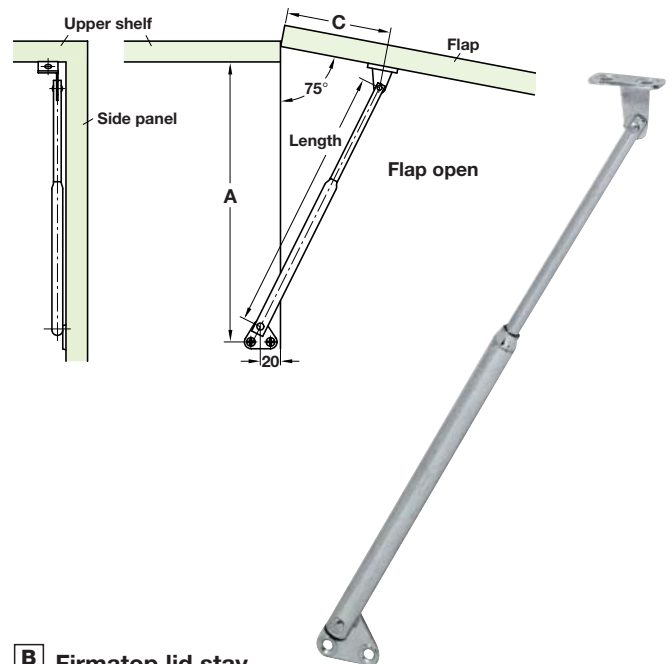
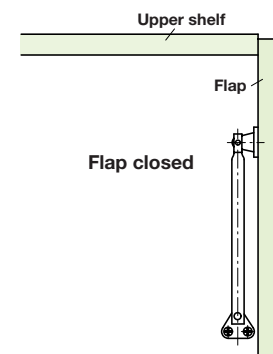
Length	Cat. No.
15 mm	015.31.531
17 mm	015.31.540
20 mm	015.31.559

Order qty: Multiples of 1000 pcs



Length	Distance A
130 mm	150 mm
250 mm	260 mm

Determine distance C by trial mounting



B Firmatop lid stay

- With spring
- Spring pressure supports the flap when raised and holds it firmly against the cabinet when closed
- Screw mounting to side panel and lid
- Unhanded design
- One or two stays required, depending on weight of flap
- Galvanized steel lid stay

Length	130 mm
Galvanized steel	373.58.704

Order qty: 1 pc