

Length (mm)	Internal cabinet height (mm)	Distance A (mm)	Distance B (mm)
200	350 to 450	225	125
250	450 to 550	275	150
300	550 to 650	325	175

Determine distance C by trial mounting

A Stopmatic flap stay

- With braking mechanism
- Screw mounting to side panel and to flap
- Without magnetic catch
- Right handed, adjustable for use as left hand
- Nickel-plated steel flap stay with brown plastic housing

Length	Cat. No
200 mm	365.40.100
250 mm	365.40.128
300 mm	365.40.146

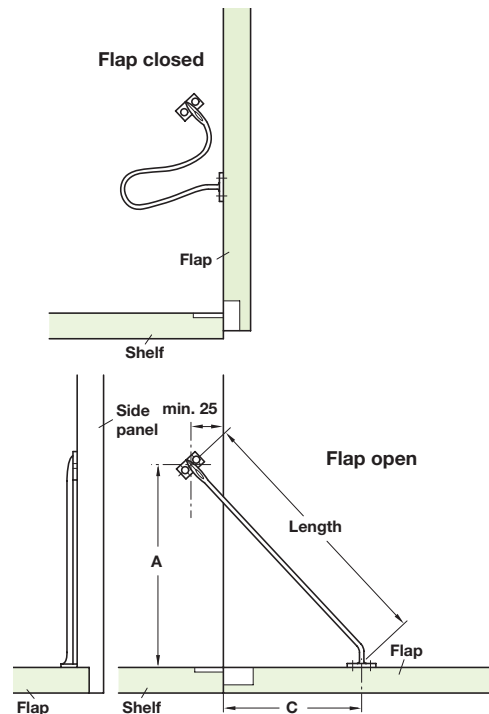
Order qty: Multiples of 2 pcs

Mounting screws
Hospa chipboard screws countersunk head
Ø 3.0 mm with cross-slots



Length	Cat. No.
15 mm	015.31.531
17 mm	015.31.540
20 mm	015.31.559

Order qty: Multiples of 1000 pcs



Length (mm)	Internal cabinet height (mm)	Distance A (mm)
200	155	127

B Flexible flap stay

- For light-weight flaps
- Screw mounting to side panel and flap
- Noise and vibration free
- Unhanded design
- Suitable for use as a door restraint
- White or brown plastic flap stays

Length	White	Brown
200 mm	366.73.702	366.73.104

Order qty: Multiples of 10 pcs

Mounting screws
Hospa chipboard screws raised head
Ø 3.5 mm with cross slots



Length	Cat. No.
15 mm	015.55.639
17 mm	015.55.648
20 mm	015.55.657

Order qty: Multiples of 1000 pcs