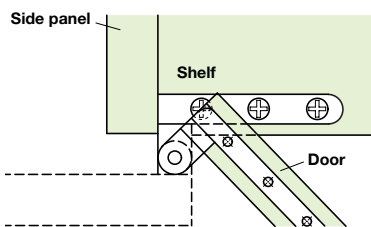
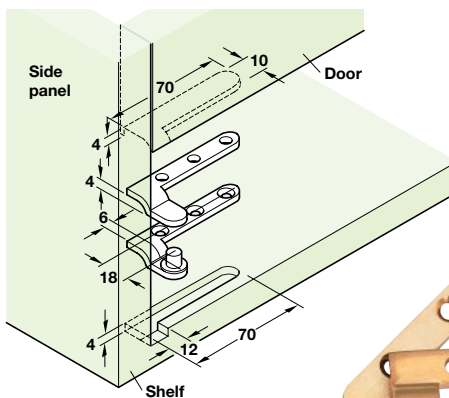


A Corner pivot hinge, without stop

- Straight outer knuckle
- Screw fixing
- Max. door opening angle 250°
- One pair required per mounting
- Polished brass with steel pin

Length	Cat. No.
50 mm	362.10.803

Order qty: 1 pair

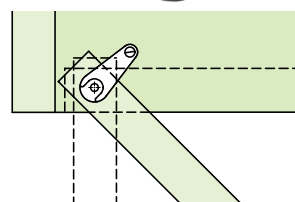
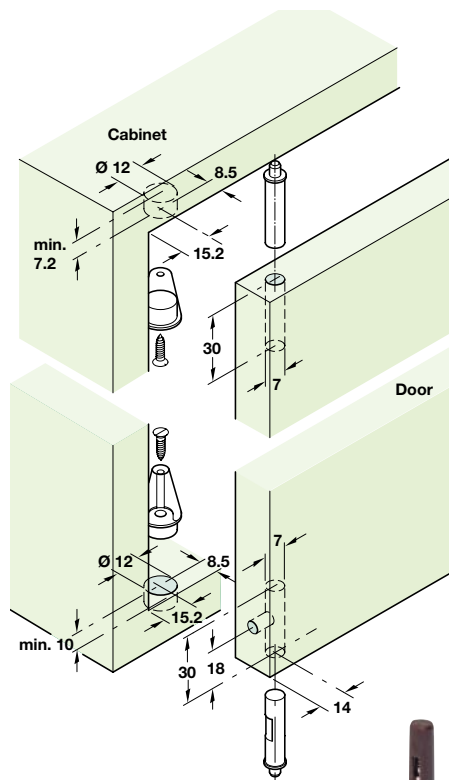


B Corner pivot hinge, without stop

- Cranked outer knuckle
- Screw fixing
- Max. door opening angle 180°
- One pair required per mounting
- Matt brass

Length	Cat. No.
70 mm	362.01.500

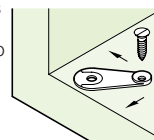
Order qty: 1 pair



Note :

The spring-pin in the lower sleeve can be pressed upwards by inserting a screwdriver into the aperture in the door edge following which the door can be detached. The hole in the door and the slot in the sleeve must be in alignment

Turning the flange on its pivot bearing increases or reduces the door gap accordingly. A small wood-screw serves to complete the final fastening process.



C Pivot hinge, without stop

- For flush mounted doors
- Detachable
- For door thicknesses from 12 to 21 mm
- Press fit
- Max door opening angle 140°
- One pair per mounting
- Plastic



Finish	Cat. No.
White	361.22.710
Brown	361.22.110
Black	361.22.310

Order qty: Multiples of 10 pairs

TCH-FF 2010, HUK. Dimensional data not binding. We reserve the right to alter specifications without notice.