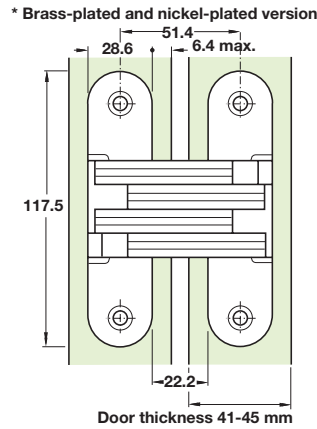
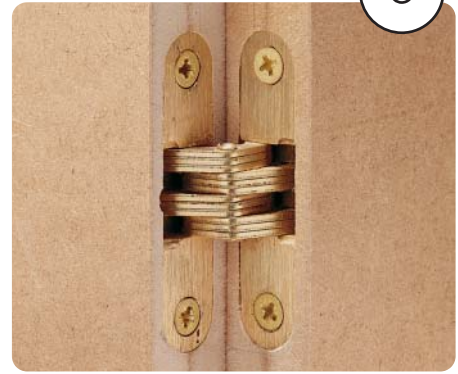


# Concealed Hinges

## Soss Hinges

- **Soss hinges**
- Opening angle **180°**
- Ideal for either timber or metal doors where robust usage required
- Concealed installation acts as a vandal deterrent
- Stainless steel version corrosion resisting

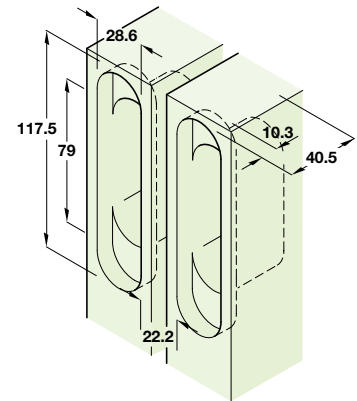
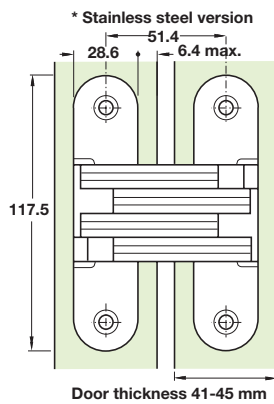


### A Soss hinge 218

- Fixing screws supplied:  
8 x Countersunk head Ø 4.0 x 40 mm
- For door thickness **41-45 mm**
- Zinc alloy hinge with brass-plated steel links, nickel-plated steel links or solid stainless steel links
- **\*1 hour fire rated. Passed 1 hr fire test carried out by Chilern Fire research station in accordance with BS476 : PT 22 : 1987 section 6**

Brass-plated steel links	
Cat. No.	341.07.572
Zinc alloy body, nickel-plated links	
Cat. No.	341.07.772
Solid stainless steel body, st. steel links	
Cat. No.	341.07.070*

Order qty: 1 pc



6

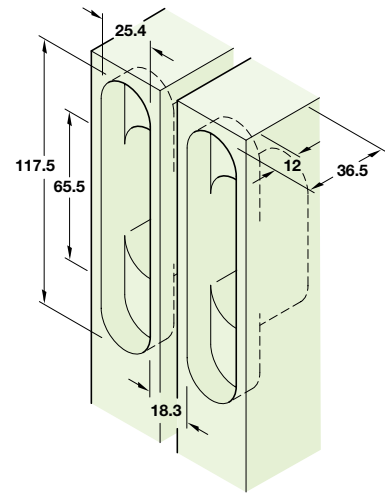
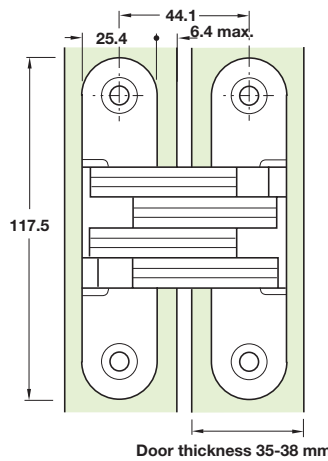
Hinges

### B Soss hinge 216

- Fixing screws supplied:  
4 x Countersunk head Ø 6.0 x 40 mm
- For door thickness **35-38 mm**
- Zinc alloy hinge with brass-plated steel links

Finish	Cat. No.
Brass-plated	341.07.563
Nickel-plated	341.07.763

Order qty: 1 pc

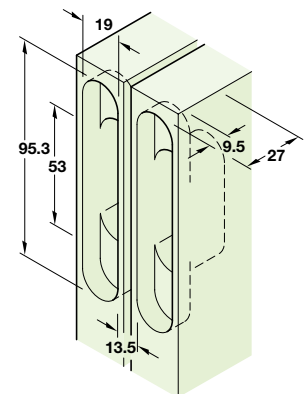
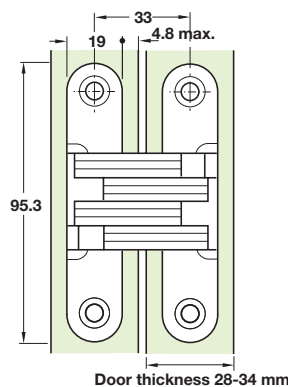


### C Soss hinge 212

- Fixing screws supplied:  
4 x Countersunk head Ø 4.5 x 30 mm
- For door thickness **28-34 mm**
- Zinc alloy hinge with brass-plated steel links

Finish	Cat. No.
Brass-plated	341.07.554
Nickel-plated	341.07.754

Order qty: 1 pc



TCH-FF 2010, HUK. Dimensional data not binding. We reserve the right to alter specifications without notice.