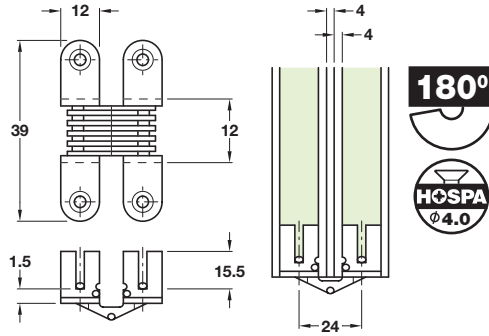


A Concealed hinge

- Opening angle **180°**
- For maximum door and side panel thickness **18-20 mm**
- Screw fixing
- Brass plated steel

Maximum door thickness	Cat. No.
18-20 mm	341.05.500

Order qty: 1 pc

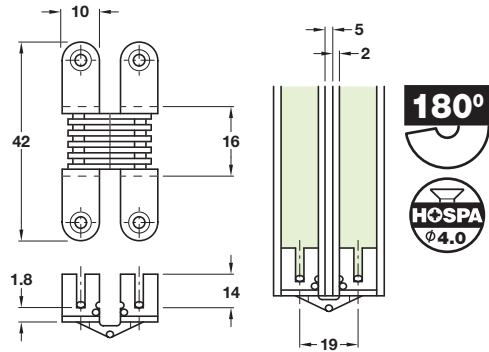


B Concealed hinge

- Opening angle **180°**
- For maximum door and side panel thickness **14-16 mm**
- Screw fixing
- Brass plated steel

Maximum door thickness	Cat. No.
14-16 mm	341.05.510

Order qty: 1 pc

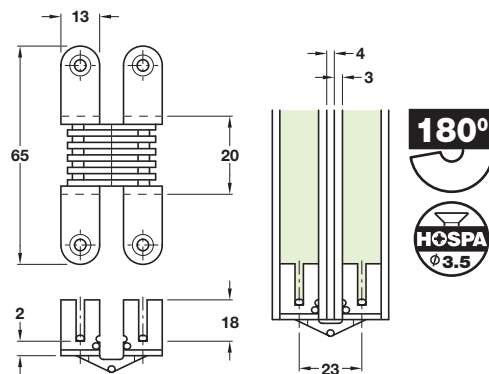


C Concealed hinge

- Opening angle **180°**
- For maximum door and side panel thickness **19-21 mm**
- Screw fixing
- Brass plated steel

Maximum door thickness	Cat. No.
19-21 mm	341.05.521

Order qty: 1 pc



D Concealed hinge

- Opening angle **180°**
- For maximum door and side panel thickness **24-26 mm**
- Screw fixing
- Brass plated steel

Maximum door thickness	Cat. No.
24-26 mm	341.05.530

Order qty: 1 pc

