

**A Simplex glass door hinge**

- With press fit bush
- Maximum opening angle **110°**
- For maximum glass thickness **5 mm**
- For **flush-fitting** doors
- Without catch
- 2 hinges (1 pair) per door required
- Black steel hinge with black plastic press-fit bush

Finish	Cat. No.
Chrome plated	361.42.202
Black	361.42.300

Order qty: 1 pair

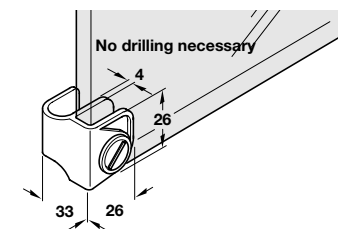
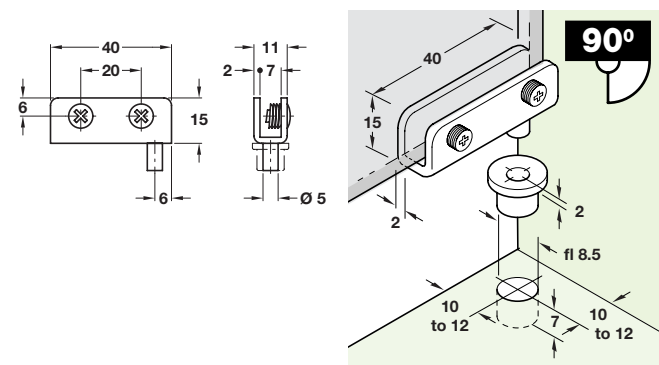
**C Glass door pull**

- For maximum glass thickness **6.7 mm**
- Zinc alloy

Finish	Cat. No.
Black	154.27.300

Order qty: 1 pc

6 Hinges



**B Glass door pivot hinge**

- With press fit bush
- Maximum opening angle **90°**
- For maximum glass thickness **6.8 mm**
- For **inset** doors
- Unsprung
- 2 hinges (1 pair) per door required
- Polished zinc die-cast hinge with black nylon bush

	Cat. No.
Glass door pivot hinge	361.35.200

Order qty: 1 pair

**D Glass door pull**

- For glass thickness **4 - 5 mm**
- Push-fits on glass doors
- Zinc alloy with plastic fixing screw

Finish	Cat. No.
Nickel-plated	154.18.701

Order qty: 1 pc

TCH-FF 2010, HUK. Dimensional data not binding. We reserve the right to alter specifications without notice.