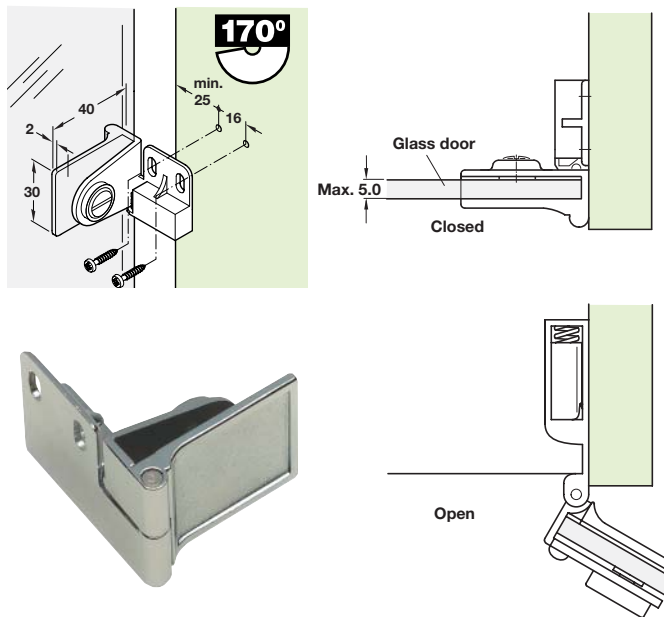


A Glass door hinge set

- Comprising: 2 hinges, (1 right hand, 1 left hand), 2 screws, 2 rubber pads
- Maximum opening angle **170°**
- For maximum glass thickness **5 mm**
- For **inset** doors
- With catch
- Zinc alloy hinge

Finish	Cat. No.
Chrome-plated	361.93.240

Order qty: 1 set

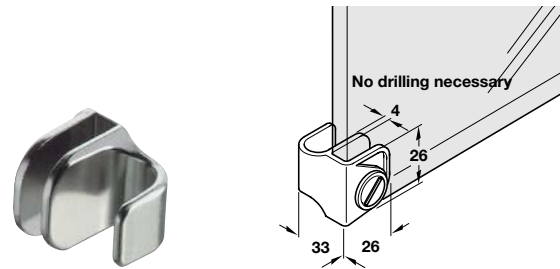


B Glass door middle hinge

- Comprising: 2 hinges (1 right hand, 1 left hand), 2 rubber pads
- Opening angle **170°**
- For maximum glass thickness **5 mm**
- Maximum door size:
height 600 mm, width 450 mm
- For **inset** doors
- With catch
- Zinc alloy hinge

Finish	Cat. No.
Polished chrome-plated	361.93.242

Order qty: 1 pair

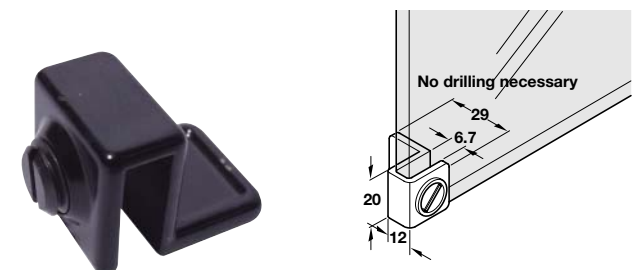


C Glass door pull

- For glass thickness **4 - 5 mm**
- Push-fits on glass doors
- Zinc alloy with plastic fixing screw

Finish	Cat. No.
Nickel-plated	154.18.701

Order qty: 1 pc



D Glass door pull

- For maximum glass thickness **6.7 mm**
- Zinc alloy

Finish	Cat. No.
Black	154.27.300

Order qty: 1 pc