

# Mirror Hinges

## 128° Mirror Door Hinges

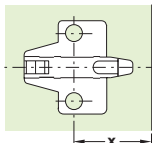
### A Mirror hinges

- Maximum opening angle 128°
- For double-sided mirror doors
- For overlay and inset doors
- Self-closing and free-swinging
- Hinge adapter **B** is glued into position, no need to route or drill the door
- **Important: Mirror hinge should not be used in conjunction with cam plates as adjustment of the plates can cause weakening of the glue**
- Choose mounting plates according to whether overlay or inset door required, and glue hinge adapter in suitable position
- Diecast nickel-plated
- \* **UV bonding system cannot be used with these 2 items**
- **Please speak to glass manufacturer to specify correct glue**



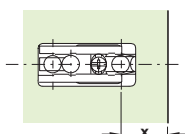
#### Cruciform mounting plate fitting dimensions

<b>X</b> = 37 mm with mounting plate for line boring 28 mm
<b>X</b> = 46 - 48 mm with mounting plate for line boring 37 mm



#### Straight mounting plate fitting dimensions

<b>X</b> = (depends on the mounting plate used) + 9 mm
--



#### Mirror hinge fitting dimensions

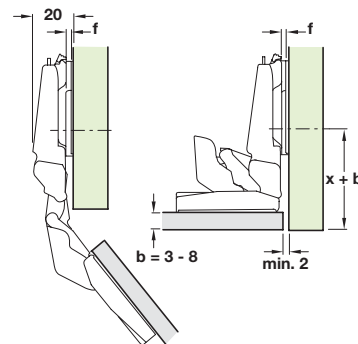
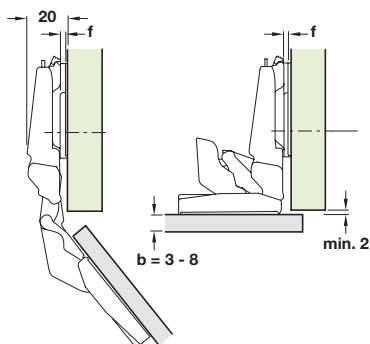
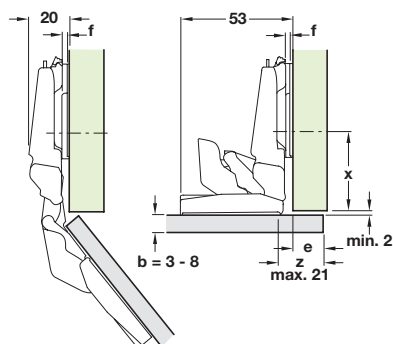
**e** = Overlay of the door, depends on using adapter (**z**) and the mounting plate thickness. The max. overlay of 16 mm is achieved with a mounting plate thickness 0 mm and using the max. adjustment possible.

To achieve an inset door application the position of the mounting plate (**x**) and the glued on adapter (**z**) need to be moved

**Important note:** A min. gap of 2 mm all around the door is recommended to avoid breakage. The edge of the inset door should not touch the cabinet side while opening

	Cat. No.
With spring	322.39.600*
Without spring	322.38.600

Order qty: 1 pc



### B Hinge adapter

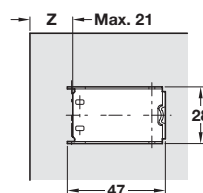
- Glued into position, no need to route or drill the door
- Stainless steel

	Cat. No.
Hinge adapter	322.38.690*

Order qty: 1 pc

#### Dimensions for adapter overlay

<b>Z</b> = Overlay <b>e</b> + 7 mm with mounting plate (f), height 0 mm
<b>Z</b> = Overlay <b>e</b> + 9 mm with mounting plate (f), height 2 mm
<b>Z</b> = Overlay <b>e</b> + 11 mm with mounting plate (f), height 4 mm

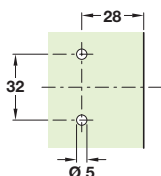


### C Cruciform mounting plate

- For click on systems
- **28 mm** backset
- Varianta screw fixing
- Supercompact plate
- Nickel-plated zinc alloy

Height	Cat. No.
2 mm	322.97.712
4 mm	322.97.714

Order qty: 1 pc



### D Cruciform mounting plate

- For click on systems
- **28 mm** backset
- Hospa screw fixing
- One part plate
- Nickel-plated pressed steel

Height	Cat. No.
0 mm	322.97.720

Order qty: 1 pc

