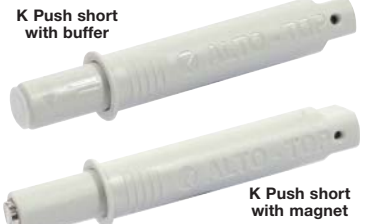
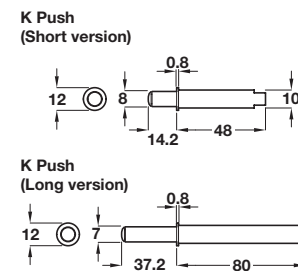
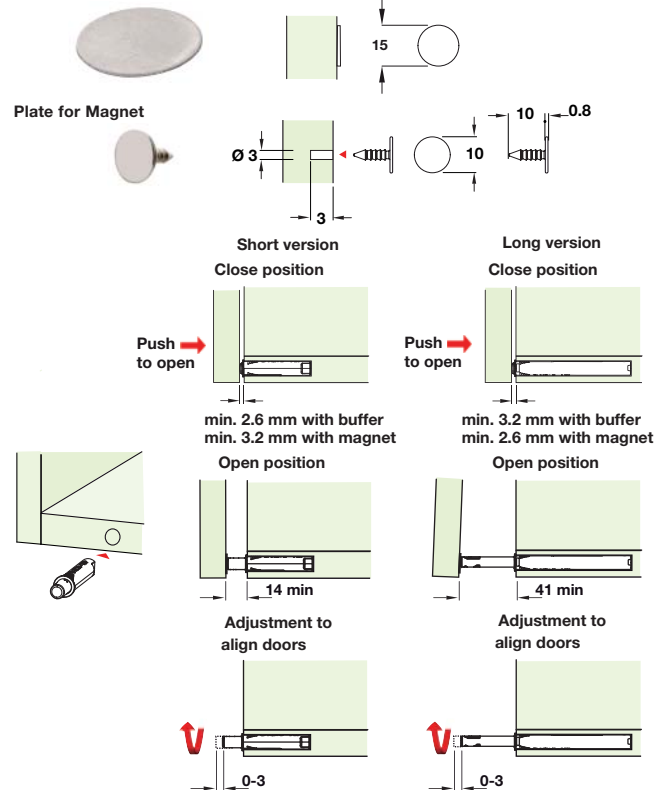


**Important:** K Push has to be installed with the writing "ALTO - TOP" facing upwards



**Adhesive plate for Magnet**



### A K Push and plate - short or long version

- Available either with magnet or with buffer  
With magnet for cabinets using unsprung or negative hinges (order plate for magnet separately)  
With buffer for cabinets using sprung hinges
- Screw fixing rail plate with wood screws (screws not included)
- K Push slides onto rail plate and clicks in
- **Important:** please do not press or release the spring until the K Push is fully installed
- Grey engineering plastic with magnet or rubber buffer
- **Order K Push and rail plate separately**
- Black and white versions available, contact us for more information

| K Push - short version                   | Cat. No.   |
|--|------------|
| with buffer                              | 356.01.501 |
| with magnet                              | 356.01.511 |
|  | Cat. No.   |
| <b>Rail plate</b>                        | 356.01.519 |
| <b>Adhesive plate for magnet</b>         | 356.01.539 |
| <b>Plate for magnet, with Ø 3 mm pin</b> | 356.01.549 |

Order qty: 1 pc

| K Push - long version                    | Cat. No.   |
|--|------------|
| with buffer                              | 356.01.502 |
| with magnet                              | 356.01.512 |
|  | Cat. No.   |
| <b>Rail plate</b>                        | 356.01.519 |
| <b>Adhesive plate for magnet</b>         | 356.01.539 |
| <b>Plate for magnet, with Ø 3 mm pin</b> | 356.01.549 |

Order qty: 1 pc

### B K Push concealed - short or long version

- Available either with magnet or with buffer  
With magnet for cabinets using unsprung or negative hinges (order plate for magnet separately)  
With buffer for cabinets using sprung hinges
- **Important:** please do not press or release the spring until the K Push is fully installed
- Grey engineering plastic with magnet or rubber buffer
- Black and white versions available, contact us for more information

| K Push - short version                   | Cat. No.   |
|--|------------|
| with buffer                              | 356.01.521 |
| with magnet                              | 356.01.531 |
|  | Cat. No.   |
| <b>Adhesive plate for magnet</b>         | 356.01.539 |
| <b>Plate for magnet, with Ø 3 mm pin</b> | 356.01.549 |

Order qty: 1 pc

| K Push - long version                    | Cat. No.   |
|--|------------|
| with buffer                              | 356.01.541 |
| with magnet                              | 356.01.546 |
|  | Cat. No.   |
| <b>Adhesive plate for magnet</b>         | 356.01.539 |
| <b>Plate for magnet, with Ø 3 mm pin</b> | 356.01.549 |

Order qty: 1 pc