

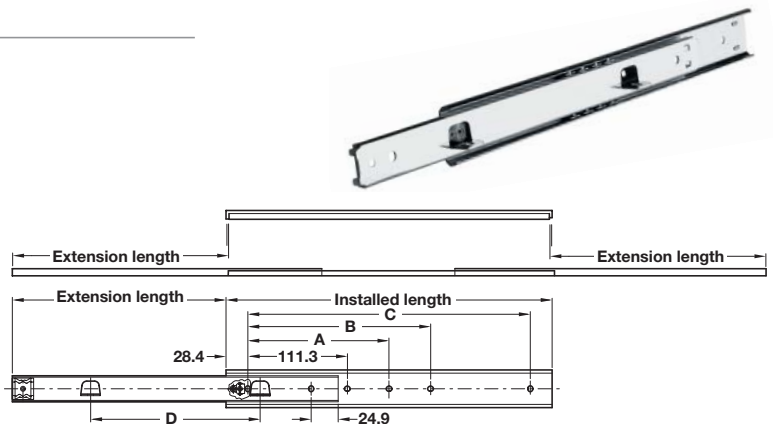
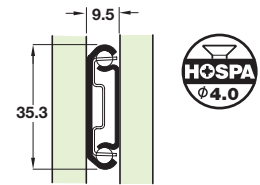
A Accuride 2026 drawer runners, two way travel, single extension

- Use for pull through drawers when access is required from both sides of unit
- 50 kg carrying capacity
- Two-way travel
- Hold-out at either end
- Bright zinc-plated steel



Installed length 1	Extension length 2	Dim. A	Dim. B	Dim. C	Dim. D	Cat. No.
300 mm	211.3 mm	128 mm	160 mm	224 mm	256 mm	420.45.930
350 mm	248.6 mm	160 mm	192 mm	256 mm	288 mm	420.45.935
400 mm	285.9 mm	192 mm	224 mm	320 mm	352 mm	420.45.940
450 mm	323.2 mm	224 mm	256 mm	352 mm	384 mm	420.45.945
500 mm	360.5 mm	256 mm	288 mm	416 mm	448 mm	420.45.950
550 mm	397.8 mm	256 mm	288 mm	480 mm	512 mm	420.45.955
600 mm	435.1 mm	288 mm	320 mm	512 mm	544 mm	420.45.960
650 mm	472.4 mm	288 mm	320 mm	576 mm	608 mm	420.45.965
700 mm	509.7 mm	320 mm	352 mm	608 mm	640 mm	420.45.970

Order qty: 1 pair



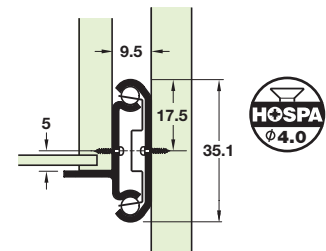
B Accuride 2002 drawer runners, two way travel, single extension

- Use for pull through drawers when access is required from both sides of unit
- 35 kg carrying capacity
- Two-way travel
- Hold-in central position
- Built in mounting tabs
- Bright zinc-plated steel



Installed length 1	Extension length 2	Dim. A	Dim. B	Dim. C	Dim. D	Cat. No.
305 mm	221.5 mm	-	136.7 mm	247.7 mm	153.4 mm	422.15.310
356 mm	272.3 mm	-	187.5 mm	298.5 mm	204.2 mm	422.15.360
406 mm	297.7 mm	-	238.3 mm	349.3 mm	255 mm	422.15.410
457 mm	323.1 mm	200.2 mm	289.1 mm	400.1 mm	305.8 mm	422.15.458
508 mm	373.9 mm	225.6 mm	339.9 mm	450.9 mm	356.6 mm	422.15.501
558 mm	399.3 mm	251 mm	390.7 mm	501.7 mm	407.4 mm	422.15.556
610 mm	424.7 mm	276.4 mm	441.5 mm	552.5 mm	458.2 mm	422.15.609
660 mm	475.5 mm	301.8 mm	492.3 mm	603.3 mm	509 mm	422.15.660
711 mm	500.9 mm	327.2 mm	543.1 mm	654.1 mm	559.8 mm	422.15.711

Order qty: 1 pair



TCH-FF 2010, HUK. Dimensional data not binding. We reserve the right to alter specifications without notice.