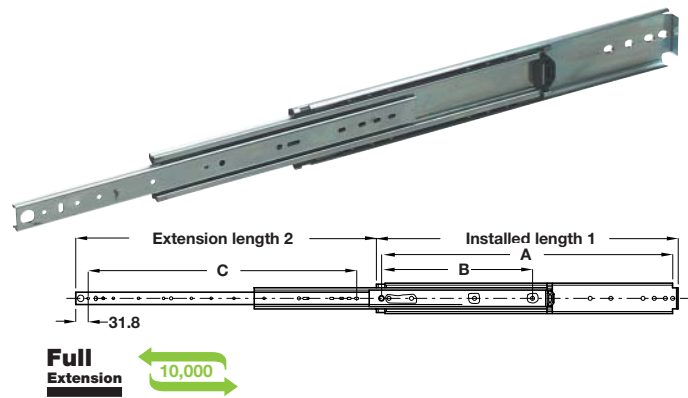


# Ball Bearing Drawer Runners

## Accuride 9301 Heavy Duty Drawer Runner

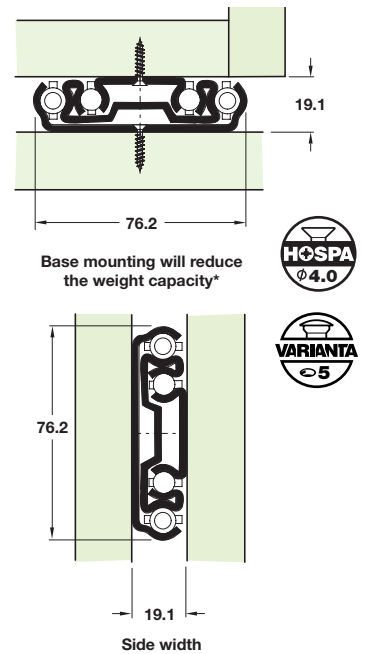
### A Accuride 9301 extra heavy duty runners, full extension

- Can be side mounted or base and top mounted for use as a pull out storage unit
- Weights limit per pair based on length, **please note weight limits reduce by 75% if base mounted\***
- M6 hexagonal head screw can be used with these runners
- Optional brackets shown below for different mounting options
- Bright zinc-plated steel



Installed length 1	Extension length 2	Dim. A	Dim. B	Dim. C	Weight limit	Cat. No.
254 mm	254 mm	228.6 mm	-	166.6 mm	227 kg	422.10.925
305 mm	305 mm	279.4 mm	-	217.4 mm	227 kg	422.10.930
356 mm	356 mm	330.2 mm	-	268.2 mm	227 kg	422.10.935
406 mm	406 mm	381 mm	-	319 mm	227 kg	422.10.940
457 mm	457 mm	431.8 mm	-	369.8 mm	227 kg	422.10.945
508 mm	508 mm	482.6 mm	-	420.6 mm	227 kg	422.46.950
610 mm	610 mm	584.2 mm	-	522.2 mm	227 kg	422.46.960
660 mm	660 mm	635 mm	-	573 mm	227 kg	422.46.965
711 mm	711 mm	685.8 mm	-	623.8 mm	227 kg	422.46.970
762 mm	762 mm	736.6 mm	-	674.6 mm	222 kg	422.46.975
813 mm	813 mm	787.4 mm	393.7 mm	725.4 mm	218 kg	422.46.980
864 mm	864 mm	838.2 mm	419.1 mm	776.2 mm	213 kg	422.46.985
914 mm	914 mm	889.0 mm	444.5 mm	827.0 mm	209 kg	422.46.990
1016 mm	1016 mm	990.6 mm	546.1 mm	928.6 mm	200 kg	422.46.994
1067 mm	1067 mm	1041.4 mm	546.1 mm	979.4 mm	195 kg	422.10.995
1118 mm	1118 mm	1092.2 mm	546.1 mm	1030.2 mm	182 kg	422.46.995
1219 mm	1219 mm	1193.8 mm	596.9 mm	1131.8 mm	182 kg	422.46.996
1524 mm	1524 mm	1498.6 mm	596.9 mm	1436.6 mm	154 kg	422.46.998

Order qty: 1 pair



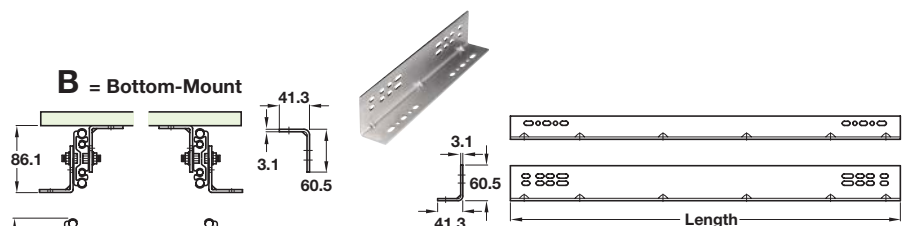
### B Mounting brackets for Accuride 9301 and for 9308

- 4 bottom and 2 side mount options
- Four bracket lengths can be used, either individually or in combination, to cover all runner lengths
- See the chart to determine the number of bracket sets required
- Unhanded brackets
- Fixings included

#### Runner lengths:

- 304.8 mm - 812.8 mm  
1 set to Side-Mount, 2 sets to Bottom-Mount
- 914.4 mm  
2 sets (same part number) to Side-Mount,  
4 sets (same part number) for Bottom-Mount
- 1016 mm - 1524 mm  
2 sets (different part numbers) to Side-Mount,  
4 sets (different part numbers) to Bottom-Mount

Length	Cat. No.
305 mm	422.10.010
406 mm	422.10.011
559 mm	422.10.012
711 mm	422.10.013



Bracket Runner	422.10.010		422.10.011		422.10.012		422.10.013	
	S	B	S	B	S	B	S	B
422.10.930	1	2	-	-	-	-	-	-
422.10.935	1	2	-	-	-	-	-	-
422.10.940	-	-	1	2	-	-	-	-
422.10.945	-	-	1	2	-	-	-	-
422.46.950	-	-	1	2	-	-	-	-
422.46.960	-	-	-	-	1	2	-	-
422.46.965	-	-	-	-	1	2	-	-
422.46.970	-	-	-	-	-	-	1	2
422.46.975	-	-	-	-	-	-	1	2
422.46.980	-	-	-	-	-	-	1	2
422.46.985	2	4	-	-	-	-	-	-
422.46.990	2	4	-	-	-	-	-	-
422.46.994	1	2	-	-	1	2	-	-
422.10.995	1	2	-	-	1	2	-	-
422.46.996	1	2	-	-	-	-	1	2
422.46.998	-	-	-	-	1	2	1	2

Order qty: 1 pair