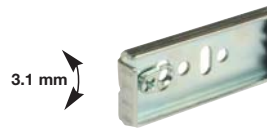


# Ball Bearing Drawer Runners

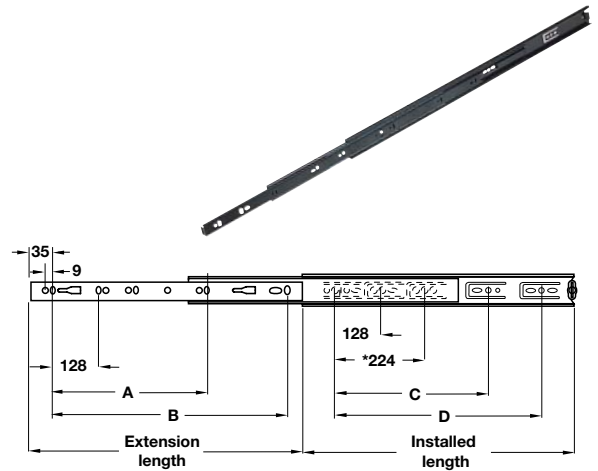
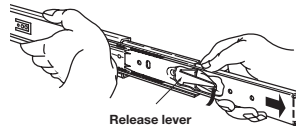
## Accuride 3832 and Accuride 3832 DO Drawer Runners

### A Accuride 3832 front disconnect drawer runners, full extension

- For applications such as filing cabinets, desk pedestals and general storage drawers
- Version with hold out feature available, see below
- **45 kg** carrying capacity
- Front disconnect (by depressing lever) for drawer removal
- Hold-in feature holds the closed drawer in
- 32 mm drilling pattern
- Tolerance absorption tabs
- Improved retainer retention device
- Grooved cabinet member, for better movement
- Zinc-plated steel
- \*Corrosion resistant for harsh environments, 8 times more protection than regular zinc finishes, stainless steel ball retainer, ball bearings and rivets



These runners have a cam adjuster on the front of each slide which gives 3.1 mm adjustment on the drawer front



\*except on 300mm below lengths  
Over-extension of 5 mm

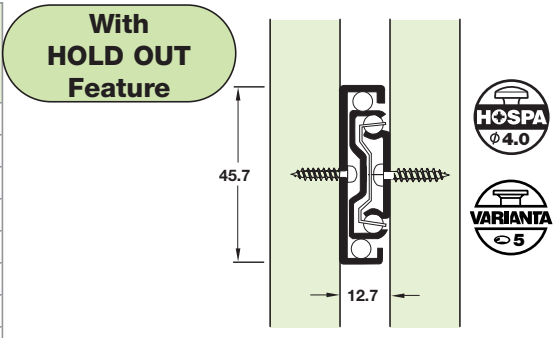
Full Extension

80,000

Hold-in feature

Accuride 3832						Accuride 3832 DH			
Installed length 1	Extension length 2	Dim. A	Dim. B	Dim. C	Dim. D	Bright	Cat. No. White	Black	Corrosion resistant coating
150 mm	140 mm	-	-	-	-	422.41.915	422.41.715	422.41.315	422.41.815
200 mm	203 mm	-	141 mm	-	-	422.41.920	422.41.720	422.41.320	422.41.820
250 mm	243 mm	-	192 mm	-	-	422.41.925	422.41.725	422.41.325	422.41.825
300 mm	305 mm	-	242 mm	-	-	422.41.930	422.41.730	422.41.330	422.41.830
350 mm	356 mm	-	292 mm	-	-	422.41.935	422.41.735	422.41.335	422.41.835
400 mm	406 mm	-	342 mm	320 mm	-	422.41.940	422.41.740	422.41.340	422.41.840
450 mm	457 mm	-	392 mm	352 mm	-	422.41.945	422.41.745	422.41.345	422.41.845
500 mm	508 mm	-	442 mm	416 mm	-	422.41.950	422.41.750	422.41.350	422.41.850
550 mm	559 mm	224 mm	492 mm	352 mm	448 mm	422.41.955	422.41.755	422.41.355	422.41.855
600 mm	610 mm	256 mm	542 mm	352 mm	480 mm	422.41.960	422.41.760	422.41.360	422.41.860
650 mm	660 mm	320 mm	592 mm	352 mm	544 mm	422.41.965	422.41.765	422.41.365	422.41.865
700 mm	711 mm	320 mm	642 mm	352 mm	544 mm	422.41.970	422.41.770	422.41.370	422.41.870

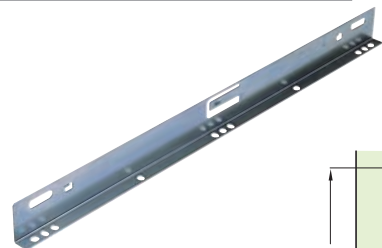
Accuride 3832-DO, with hold out feature						
Installed length 1	Extension length 2	Dim. A	Dim. B	Dim. C	Dim. D	Cat. No. Bright
300 mm	305 mm	-	242 mm	-	-	422.91.931
350 mm	356 mm	-	292 mm	-	-	422.91.936
400 mm	406 mm	-	342 mm	320 mm	-	422.91.941
450 mm	457 mm	-	392 mm	352 mm	-	422.91.946
500 mm	508 mm	-	442 mm	416 mm	-	422.91.951
550 mm	559 mm	224 mm	492 mm	352 mm	448 mm	422.91.956
600 mm	610 mm	256 mm	542 mm	352 mm	480 mm	422.91.961
650 mm	660 mm	320 mm	592 mm	352 mm	544 mm	422.91.966



Order qty: 1 pair

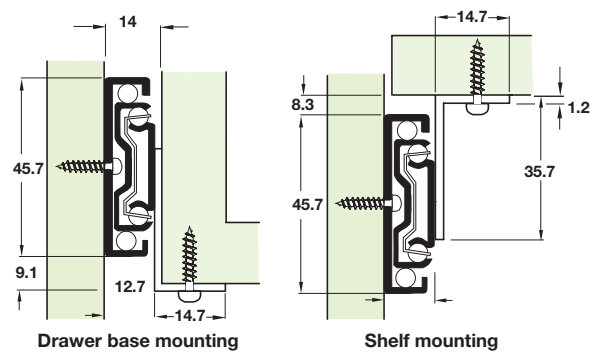
### B Mounting brackets

- Carrying capacity as per runner
- Optional full length right-angle bracket
- Easily clips onto runner **A**
- For bottom mounting of drawers or, when inverted, for platform mounting of shelves
- Bright, black or white zinc-plated steel



To suit runner length	Bright	Black	White
350 mm	422.42.935	422.42.335	422.42.735
400 mm	422.42.940	422.42.340	422.42.740
450/600/650/700 mm	422.42.945	422.42.345	422.42.745
500 mm	422.42.950	422.42.350	422.42.750
550 mm	422.42.955	422.42.355	422.42.755

Order qty: 1 pair



TCH-FF 2010, HUK. Dimensional data not binding. We reserve the right to alter specifications without notice.