

Ball Bearing Drawer Runners

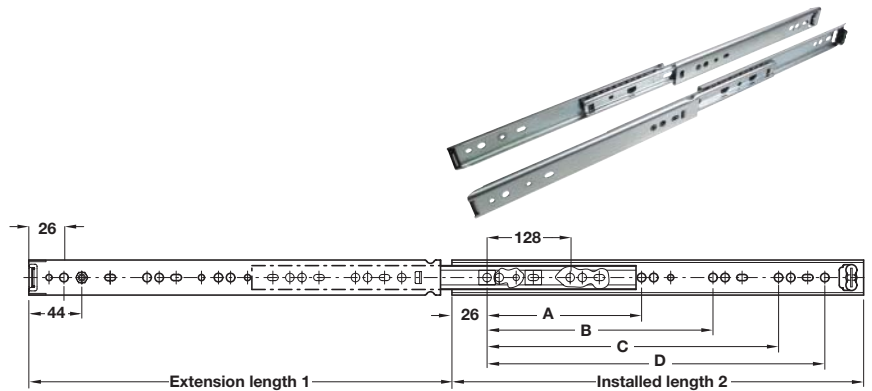
Accuride 2642 and Accuride 2726 Drawer Runners



Hold-in feature

A Accuride 2642 drawer runners, full extension

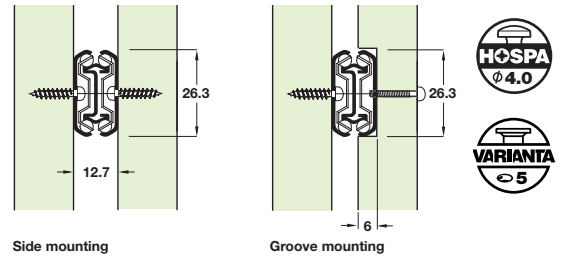
- For desk pedestals and general storage drawers, display cabinets and other applications requiring a minimum profile slide
- Side or 27 mm groove mounting, for M4 fixing to drawer
- **45 kg** carrying capacity
- Hold-in feature holds the closed drawer in
- Universal drilling pattern including 32 mm drilling pattern
- M4 universal insert on drawer profile
- Bright zinc-plated steel



Full Extension 80,000

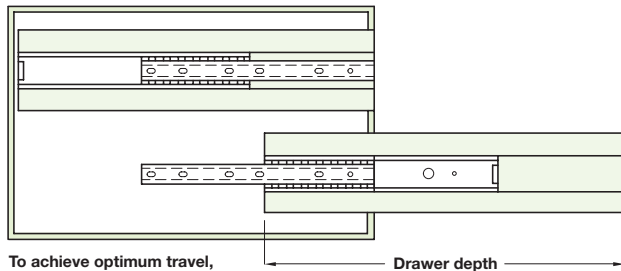
Installed length	Extension length	Dim. A	Dim. B	Dim. C	Dim. D	Cat. No.
200 mm	209 mm	-	-	-	-	422.26.200
250 mm	259 mm	-	-	-	-	422.26.255
300 mm	308 mm	224 mm	-	-	-	422.26.308
350 mm	357 mm	224 mm	-	-	-	422.26.353
400 mm	406 mm	224 mm	320 mm	-	-	422.26.406
450 mm	456 mm	224 mm	352 mm	-	-	422.26.451
500 mm	505 mm	224 mm	352 mm	416 mm	-	422.26.504
550 mm	554 mm	224 mm	352 mm	448 mm	489 mm	422.26.559

Order qty: 1 pair



6

Drawer Runners



To achieve optimum travel, locate rear of drawer member at rear of drawer and front of cabinet member as far forward as possible

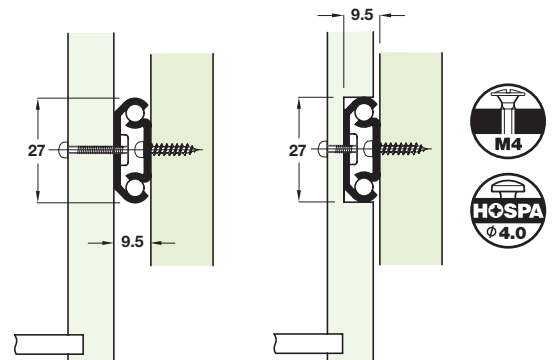
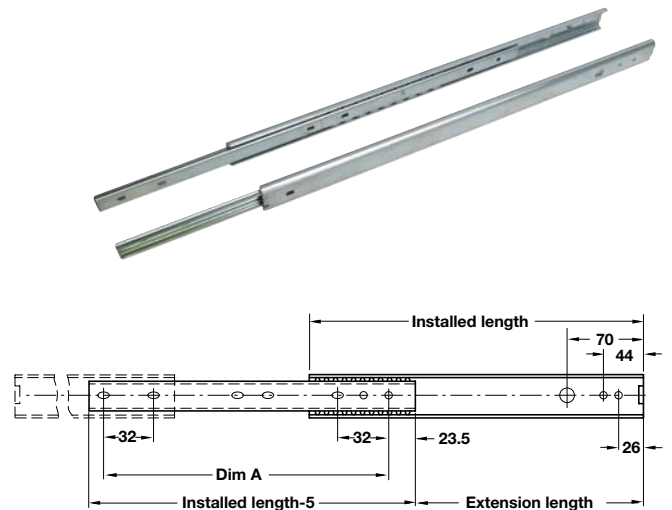
B Accuride 2726 drawer runners with two way travel, single extension

- Single extension
- Achieves maximum travel with a single extension runner
- 27 mm groove or surface side mounting
- Additional holes in drawer member for surface mounting
- **15 kg** carrying capacity
- M4 threaded hole on drawer member
- 32 mm hole pattern on cabinet member
- Bright zinc-plated steel

Single Extension 50,000

For drawer depth	Installed length	Extension length (x 2)	Dim. A	Cat. No.
400-680 mm	400 mm	284 mm	352 mm	420.99.940

Order qty: 1 pair



TCH-FF 2010, HUK. Dimensional data not binding. We reserve the right to alter specifications without notice.