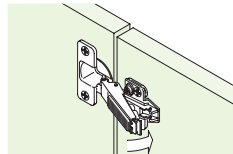
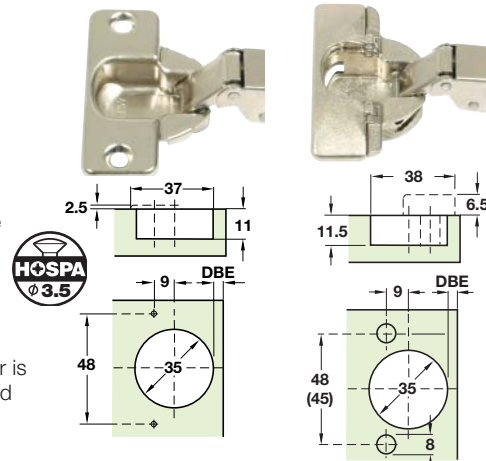


# Concealed Hinges

## Grass Standard 110° Hinges

- Opening angle **110°**
- 0 mm or 8 mm crank
- Sprung
- Ø 35 mm cup
- Screw fixing, NT Quick fixing or dowel fixing cup
- Click on arms
- Cup: Nickel-plated pressed steel
- Arm: Nickel-plated pressed steel
- **Mounting plates** for click on hinges are shown on pages 22-24
- **Hinge arm cover plates** are shown on page 25
- Soft close compatible on sprung hinges
- **\*Important note:** The offset of the door is reduced by 2.5 mm when door is opened 90° only

### Screw fixing NT Quick Fixing



**110°**

Click on

Will also fit 45 mm drilling pattern

### Dowel fixing



Soft close clip on fittings for sprung hinges shown on page 25

Crank	Screw fixing	NT Quick fixing
0	322.17.530	322.57.540
8	322.17.531	322.57.541
Crank	Dowel fixing	
0	322.17.580	-
8	322.17.581	-

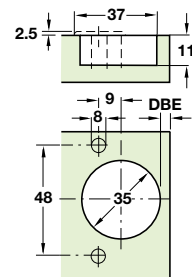
Order qty: 1 pc (order 2 pcs per door)

### Angle restrictor clip

- Reduces the opening angle to **85°**
- Prevents doors from colliding with fronts or walls in corner applications
- Black plastic

Angle restrictor clip	Cat. No.
For use with 110° hinge	322.66.310

Order qty: 1 pc



### Mounting screws

- Hospa chipboard screws, raised head, Ø 3.5 mm with cross slots
- Nickel-plated steel

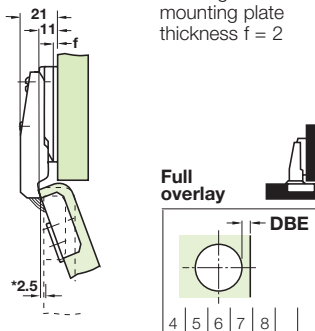


Length	Cat. No.	Order qty
15 mm	015.55.639	1000
17 mm	015.55.648	1000
20 mm	015.55.657	1000

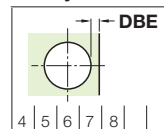
6 Hinges

### 0 Crank

Drawing shows mounting plate thickness  $f = 2$

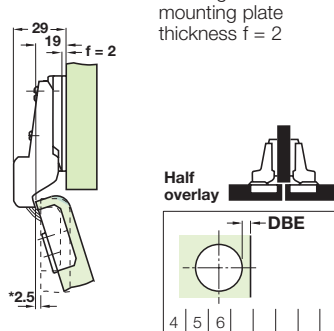


Full overlay

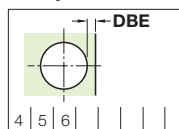


### 8 Crank

Drawing shows mounting plate thickness  $f = 2$

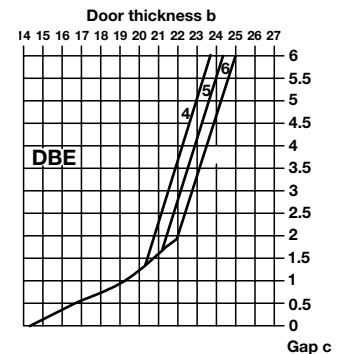


Half overlay



21				0					
20				0					
19				0	2				
18				0	2				
17	0	2		4					
16	2	4							
15	2	4							
14	4								
13	4								

11				0					
10				0					
9				0	2				
8				2	4				
7	2	4							
6	4								
5	4								



- DBE** = Distance of the bore from the edge of the door
- b** = Thickness of the door
- c** = Required gap
- e** = Coverage of the side (end) by door
- f** = Mounting plate thickness

