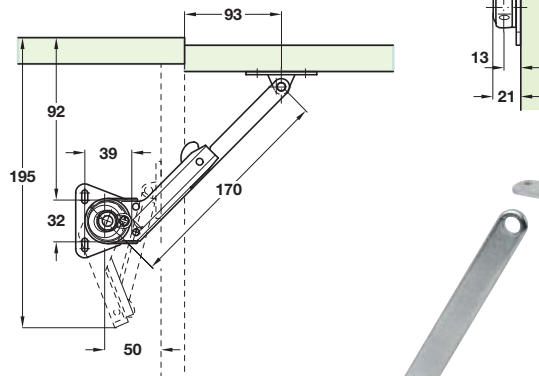
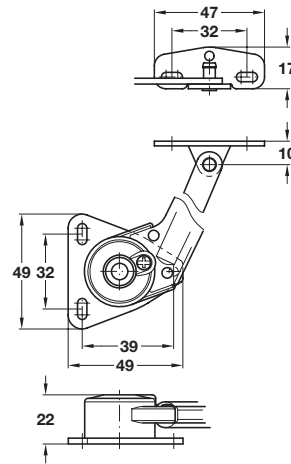
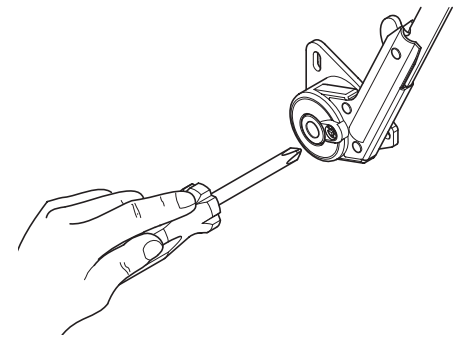


A Lid stay

- With quick mounting angled foot
- Unhanded design
- Fixing materials included
- Nickel plated steel lid stay with black plastic housing

Housing colour	Cat. No.
Black	365.31.300

Order qty: 1 pc



B Lid stay

- Opening angle 90°
- With angled foot
- Handed design
- Screw adjustment of braking action-unscrew weakens braking action, screw tighter strengthens action
- Screw fixing
- Press fit (quick mounting) fixing to angled foot
- Fixing materials and instructions included
- Nickel-plated steel

Handed	Cat. No.
Left	365.31.611
Right	365.31.610

Order qty: 1 pc

TCH-FF 2010, HUK. Dimensional data not binding. We reserve the right to alter specifications without notice.