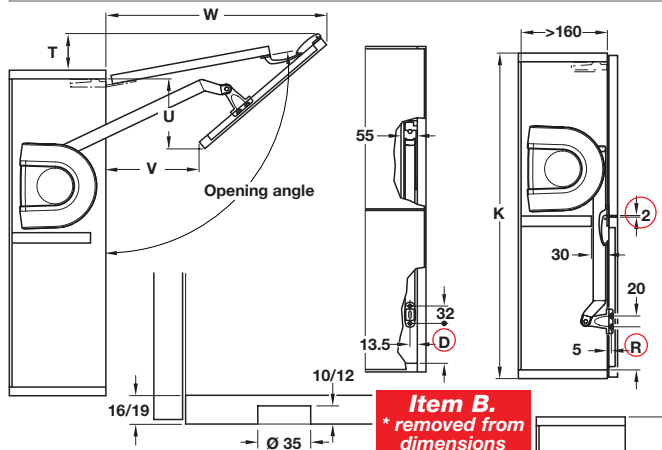


Flap Fittings

Senso 3674 and E-Senso 3686 Double Flap Lift Up Fittings

Installation dimensions (mm)

Flap height	Angle	D	H	R	T	U	V	W
540-580 mm	101°	57.5	290	63.5	70	139	192	390
580-640 mm	101°	73.5	326	79.5	70	130	170	405
640-700 mm	103°	67.5	340	73.5	95	160	220	425
700-780 mm	102°	75.5	378	81.5	96	207	261	456
780-840 mm	100°	71.5	392	77.5	85	255	260	500
840-900 mm	102°	47.5	400	53.5	120	260	315	525



B E-Senso 3686, electric

- Same base material and finish as Senso 3674 version
- 18V nominal voltage, 100-240 input voltage
- Supplied with:
 - 1x Push-button sender with battery
 - 1x Connecting cable (length 2000 mm) with angled Euro plug/male adapter
 - 1x Control unit with female adapter
 - 1x Allen key 4 mm
 - 2x Fittings with cover caps
 - 2x Base plates
 - 2x Screw-on brackets for wooden doors and wide aluminium frames
 - 2x Connecting cables for drives/control unit
- Height and side adjustment ± 3 mm, holding, opening and centre pull adjustment facility



Flap height	Flap weight	Cat. No.
555 (540-580) mm	2.5-6.5 kg	372.64.801
	6.0-11.0 kg	372.64.802
	9.5-18.0 kg	372.64.803
	13.0-22.0 kg	372.64.804
600 (580-640) mm	2.5-6.0 kg	372.64.811
	5.5-10.0 kg	372.64.812
	7.5-17.0 kg	372.64.813
	12.0-21.0 kg	372.64.814
650 (640-700) mm	3.0-5.5 kg	372.64.821
	5.5-9.0 kg	372.64.822
	7.0-14.5 kg	372.64.823
	10.5-18.5 kg	372.64.824
720 (700-780) mm	3.0-5.0 kg	372.64.831
	4.5-8.0 kg	372.64.832
	7.0-14.0 kg	372.64.833
	9.0-16.5 kg	372.64.834
800 (780-840) mm	4.5-8.0 kg	372.64.841
	7.0-11.0 kg	372.64.842
	9.0-14.0 kg	372.64.843
	865 (840-900) mm	5.0-10.0 kg
	7.0-12.0 kg	372.64.852

Order qty: 1 set

Item B.
Catalogue shows...
'372.64.832'
Correct No. is 372.64.833



C Screw-on bracket with round hole

- For use with **Senso 3674** and **E-Senso 3686**
- For mounting the double flap lift up fitting, from frame width 45 mm
- Plastic

Finish	Cat. No.
Silver coloured, similar to RAL 9006	372.64.990

Order qty: 1 pc



D Screw-on bracket with slot

- For use with **Senso 3674** and **E-Senso 3686**
- For mounting the double flap lift up fitting, frame width 20 mm
- Plastic

Finish	Cat. No.
Grey, similar to RAL 9006	372.64.991

Order qty: 1 pc



E Adapter for aluminium profile

- For screw fixing to screw-on bracket **D**
- For right and left hand use
- Zinc alloy

Finish	Cat. No.
Nickel plated	372.64.995

Order qty: 1 pc

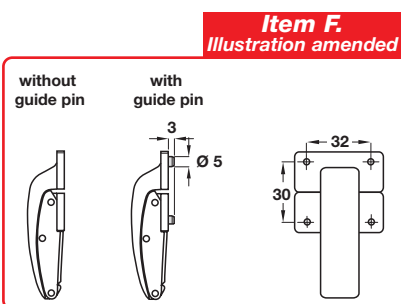


F Connecting hinge

- For use with **Senso 3674** and **E-Senso 3686**
- For wooden flaps and flaps with aluminium frame, from frame width 20 mm
- Nickel-plated zinc alloy

Version	Function	Installation	Cat. No.
Guide pin	Not adjustable	Varianta special screw	372.64.795
		Chipboard screws	372.64.790
No guide pin	Not adjustable	Varianta special screw	372.64.792
		Chipboard screws	372.64.793
No guide pin	Adjustable	Varianta special screw	372.64.794
		Chipboard screws	372.64.791

Order qty: 1 pc



Item F.
Illustration amended