

| Size | Shelf thickness | Depth | Width | Height |
|---------------|-----------------|-------|-------|--------|
| Small | 5-8 mm | 22 mm | 49 mm | 25 mm |
| Medium | 6-10 mm | 26 mm | 52 mm | 28 mm |
| Large | 8-12 mm | 29 mm | 55 mm | 31 mm |

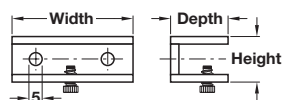
A Shelf clamp support, screw fixing

- For **5-8 mm** or **8-12 mm** shelf thickness
- Zinc alloy



| Size | Stainless steel | Polished chrome-plated |
|---------------|-----------------|------------------------|
| Small | 284.01.061 | 284.01.261 |
| Medium | 284.01.062 | 284.01.262 |
| Large | - | 284.01.263 |

Order qty: 1 pc



| Size | Shelf thickness | Depth | Width | Height |
|--------------|-----------------|-------|-------|--------|
| Small | 5-8 mm | 17 mm | 36 mm | 16 mm |
| Large | 8-10 mm | 21 mm | 47 mm | 18 mm |

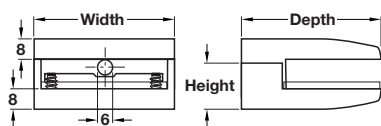
B Shelf clamp support, screw fixing

- For **5-8 mm** or **8-10 mm** shelf thickness
- Zinc alloy



| Size | Stainless steel | Polished chrome-plated |
|--------------|-----------------|------------------------|
| Small | 284.01.041 | 284.01.241 |
| Large | 284.01.043 | 284.01.243 |

Order qty: 1 pc



| Size | Shelf thickness | Depth | Width | Height |
|---------------|-----------------|-------|-------|--------|
| Medium | 6-8 mm | 52 mm | 41 mm | 25 mm |
| Large | 6-8 mm | 55 mm | 55 mm | 25 mm |

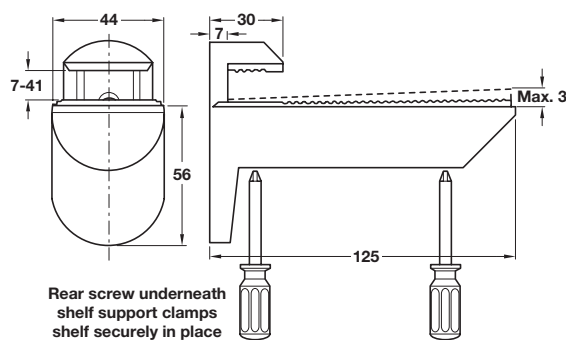
C Shelf clamp support, screw fixing

- For **6-8 mm** shelf thickness
- Zinc alloy



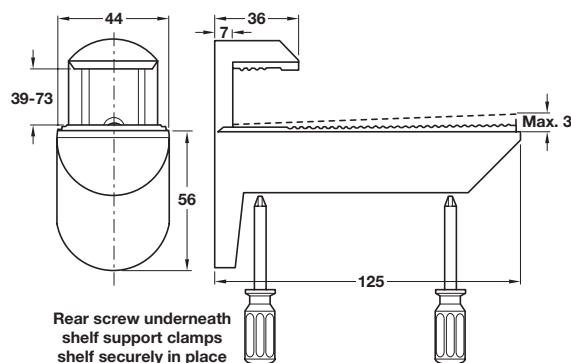
| Size | Stainless steel | Polished chrome-plated |
|---------------|-----------------|------------------------|
| Medium | 284.01.092 | - |
| Large | 284.01.093 | 284.01.293 |

Order qty: 1 pc



Rear screw underneath shelf support clamps shelf securely in place

Easy adjustment of front to back shelf angle using front screw underneath shelf support



Rear screw underneath shelf support clamps shelf securely in place

Easy adjustment of front to back shelf angle using front screw underneath shelf support

D Kaiman shelf support for glass and wooden shelves

- Adjustable shelf support for **7-41 mm** or **39-73 mm** shelf thickness
- Special fixing method for fine adjustment of bracket height to ensure shelves are level
- Screw fixing included for fixing to cement walls
- Load capacity: **25 kg** for a shelf of 320 mm deep
- Zinc alloy and engineering plastic

| For wood thickness | 7-41 mm | 39-73 mm |
|--------------------|------------|------------|
| Aluminium | 284.04.922 | 284.08.900 |
| Stainless steel | 284.04.022 | 284.08.000 |

Order qty: 1 pair

TCH-FF 2010, HUK. Dimensional data not binding. We reserve the right to alter specifications without notice.