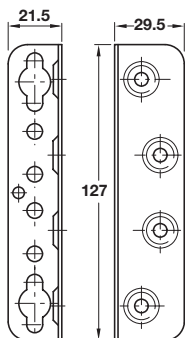
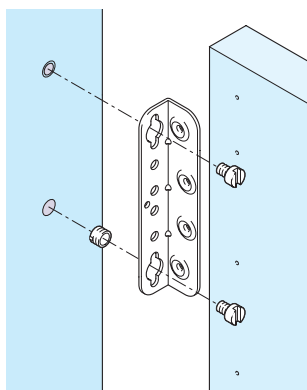


A Bed connecting fitting

- For various applications, in particular for bed heads and side rails
- One set comprises: 1x male and 1x female bracket
- Galvanized steel
- Order **fastening materials** separately, shown right

	Cat. No.
Bed connecting bracket	273.42.918

Order qty: 1 set



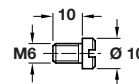
B Bed fitting

- Screw fixing
- With key-hole slots and fixing screw-holes
- Can be used left or right
- Chromatinized steel
- Order **fastening materials** separately, shown right



	Cat. No.
Bed fitting	271.19.946

Order qty: Multiples of 100 pcs

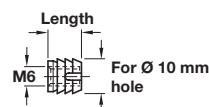


C Cheese head screw, M6 x 10 mm

- Galvanized steel

	Cat. No.
Cheese head screw	020.90.904

Order qty: Multiples of 100 pcs

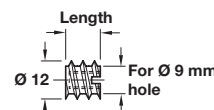


D Glue-in sleeve, M6 internal thread

- For Ø 10 mm hole
- With grooves for glue
- Plastic

Length	Cat. No.
11 mm	039.33.266
13 mm	039.33.060

Order qty: Multiples of 100 pcs



E Screw-in sleeve, M6 internal thread

- For Ø 9 mm hole
- With screwdriver slot
- Bright steel

Length	Cat. No.
11 mm	030.00.306
13 mm	030.00.315

Order qty: Multiples of 100 pcs