

Connecting Fittings

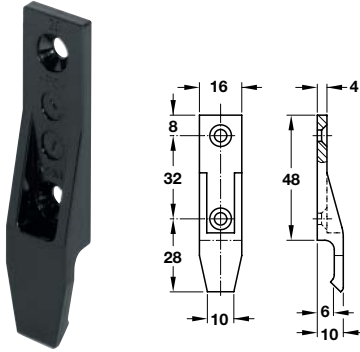
Keku AD Double Partition Fittings

- **Keku AD double partition fasteners**
- For securing trims and cladding panels directly to walls with no wooden subframe
- For construction of cavity-type doors to accommodate sound insulating material or cable ducting
- For ceiling claddings as well as walls
- All panels, once installed, can be easily removed at any time and with no special tools

Notice: Supporting plastic fittings may not be treated with chemical solvents or aggressive greases!

Makrolon has a temperature stability from -100° C to + 135° C

Hospa and **Varianta** screws are shown below



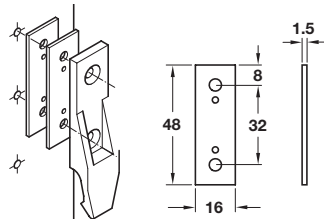
A Panel components

- Screw fixing with **Hospa** or **Varianta** screws
- Black Makrolon
- **Angled component** to be ordered separately



Mounting with	Cat. No.
Hospa screws	262.49.356
Varianta screws	262.49.357

Order qty: Multiples of 50 pcs

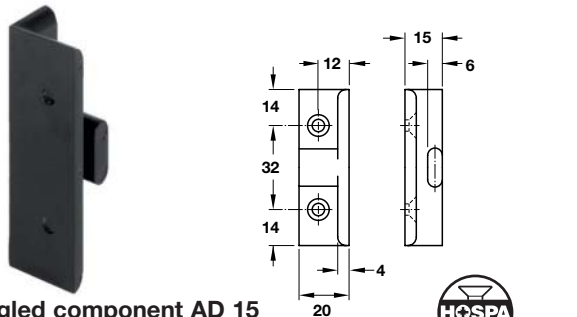


B Spacer plate for panel component A

- Black polycarbonate

Mounting with	Cat. No.
Hospa screws	262.49.353
Varianta screws	262.49.355

Order qty: Multiples of 50 pcs



C Angled component AD 15

- Screw fixing with **Hospa** or **Varianta** screws
- For **15 mm** cavity between panels
- Black Makrolon



Mounting with	Cat. No.
Hospa screws	262.51.380
Varianta screws	262.51.381

Order qty: Multiples of 50 pcs

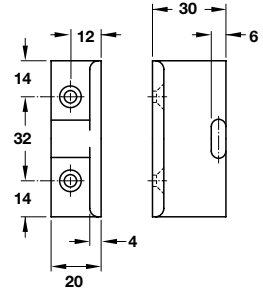
Packed set

- AD double partition fastener
- Packed set of panel component and angled component
- For mounting with **Hospa** screws



Packed set	Cat. No.
A 262.49.356 + C 262.51.380	262.51.310

Order qty: 1 set



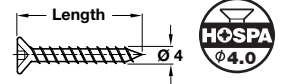
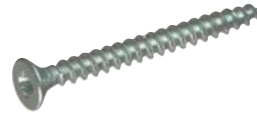
D Angled component AD 30

- Screw fixing with **Hospa** or **Varianta** screws
- For **30 mm** cavity between panels
- Black Makrolon



Mounting with	Cat. No.
Hospa screws	262.51.390
Varianta screws	262.51.391

Order qty: Multiples of 50 pcs

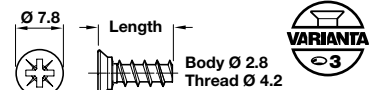


E Hospa chipboard screw, countersunk head

- Galvanized steel

Length	Cat. No.
15 mm	015.31.826
17 mm	015.31.835
20 mm	015.31.844

Order qty: Multiples of 1000 pcs



F Varianta screw, countersunk head

- For **Ø 3 mm** or **Ø 5 mm** hole
- Steel

Length	Hole Ø 3 mm	Hole Ø 5 mm
	Galvanized	Nickel-plated
10.5 mm	013.15.617	013.05.719
13.5 mm	013.15.626	340.29.724
16.0 mm	013.15.635	013.15.733

Order qty: Multiples of 100 pcs