

Connecting Fittings

Keku Suspension Fittings

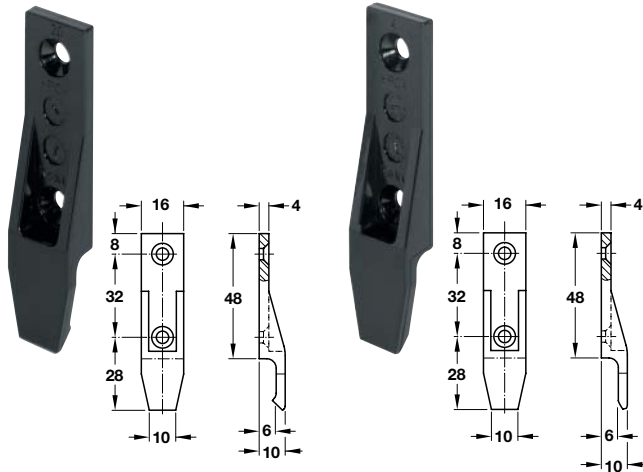
Notice: Supporting plastic fittings may not be treated with chemical solvents or aggressive greases!

Makrolon has a temperature stability from -100° C to + 135° C

Hospa and **Varianta** screws are shown on page 54



Unless otherwise indicated fixing screws are not included and must be ordered separately. The logo shown indicates the type of screw required.



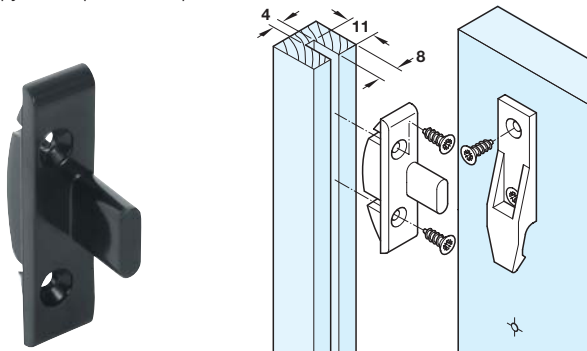
A Panel component

- Panel components without lip are for panels that may need to be removed often
- Screw fixing with Hospa or Varianta screws
- Black Makrolon
- **Order frame component separately**



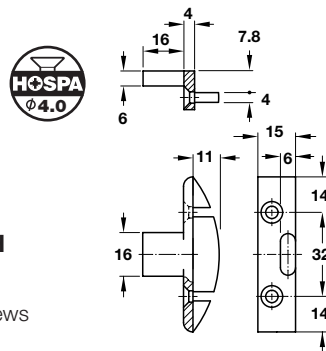
Mounting with	Hospa screws	Varianta screws
With lip	262.49.356	262.49.357
Without lip	262.49.350	262.49.351

Order qty: Multiples of 50 pcs



B Frame component EH

- Groove mounted
- Screw fixing with Hospa screws
- Black Makrolon



Mounting with	Hospa screws
Cat. No.	262.49.360

Order qty: Multiples of 50 pcs

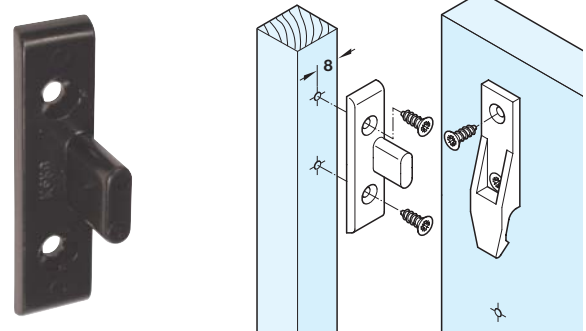
Packed sets

- Packed sets of panel and frame components
- For mounting with Hospa screw



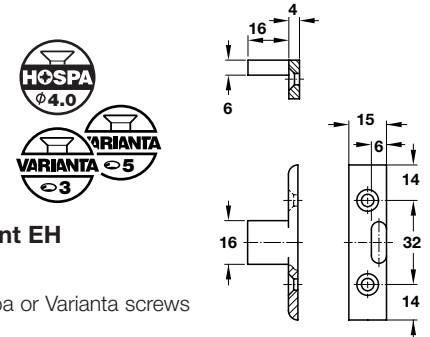
Packed sets	Cat. No.
A 262.49.356 + C 262.49.365	262.49.310
A 262.49.356 + B 262.49.360	262.49.338

Order qty: Multiples of 50 sets



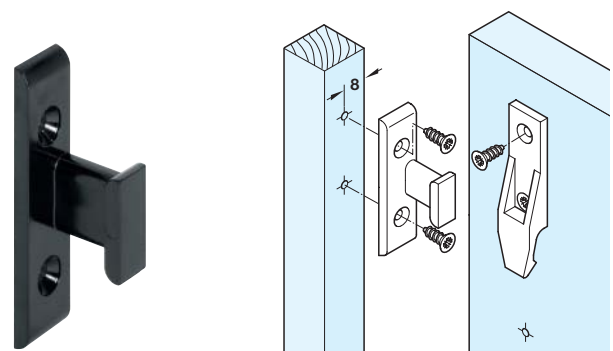
C Frame component EH

- Surface mounted
- Screw fixing with Hospa or Varianta screws
- Black Makrolon



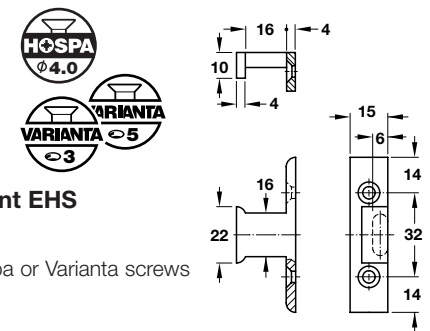
Mounting with	Hospa screws	Varianta screws
Cat. No.	262.49.365	262.49.366

Order qty: Multiples of 50 pcs



D Frame component EHS

- Surface mounted
- Screw fixing with Hospa or Varianta screws
- With side guide
- Black Makrolon



Mounting with	Hospa screws	Varianta screws
Cat. No.	262.49.367	262.49.368

Order qty: Multiples of 50 pcs

TCH-FF 2010, HUK. Dimensional data not binding. We reserve the right to alter specifications without notice.