

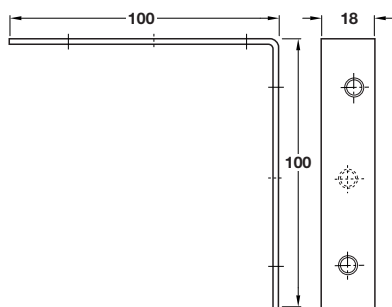
### A Chair bracket

- Screw fixing
- 2 mm thick
- Steel



Dim. A x B	Dim. C	Screw size	Yellow chromated	Stainless Steel
25 x 25 mm	15 mm	3.0 mm	260.28.502	260.28.002
40 x 40 mm	15 mm	3.0 mm	260.28.504	260.28.004
50 x 50 mm	15 mm	3.0 mm	260.28.505	260.28.005
60 x 60 mm	18 mm	3.5 mm	260.28.506	-
80 x 80 mm	18 mm	3.5 mm	260.28.508	260.28.008

Order qty: Multiples of 50 pcs



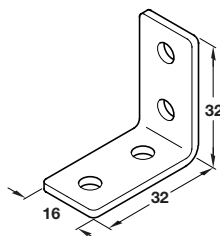
### B Chair bracket

- Screw fixing
- 2 mm thick
- Steel



Finish	Cat. No.
Yellow chromated	260.28.510

Order qty: Multiples of 50 pcs



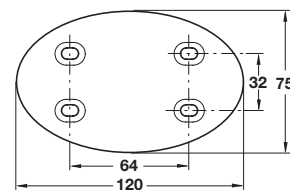
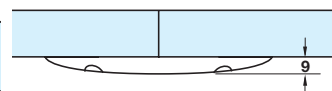
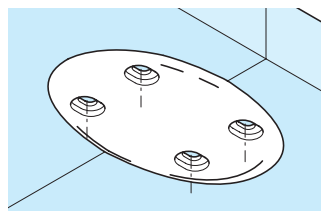
### C Chair bracket

- Screw fixing
- 1.2 mm thick
- Mild steel



Finish	Cat. No.
Zinc-plated	260.28.972

Order qty: 1 pc

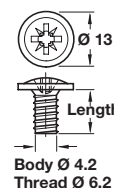


### D Modular table top connecting fitting

- Designed to prevent clothing damage or injury by sharp edges and fixing screw heads
- Ø 7 mm screw holes
- Powder coated zinc
- Order screw E separately

Finish	Cat. No.
Grey	642.43.300

Order qty: 1 pc

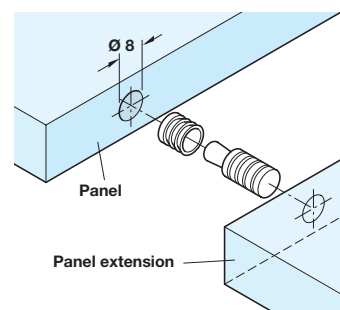
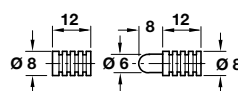


### E Panel mounting screw

- For Ø 5 mm drilled hole
- Flat head with PZ cross slot
- For use with PZ2 bits
- Galvanized steel

Length	Cat. No.
14 mm	013.10.149
28 mm	013.10.283

Order qty: Multiples of 100 pcs



### F Table top connecting fitting

- Press-fits into Ø 8 mm hole
- Especially suitable for extending tables with a central extension leaf
- Yellow chromated steel

For hole Ø	Cat. No.
8 mm	642.51.243

Order qty: Multiples of 100 pcs