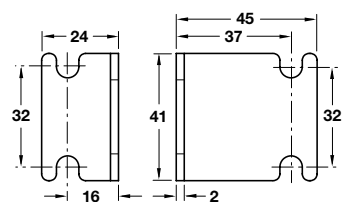
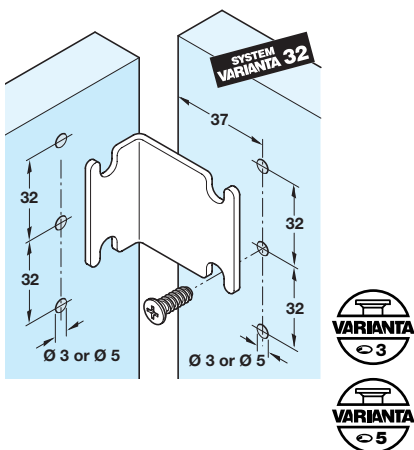


A Rear panel bracket with lugs

- For installation in system Varianta 32 Ø 5 mm series-drilled holes
- Lugs are knocked into the cabinet, the rear panel is then secured by screws through the bracket slots, allowing it to be adjusted and re-adjusted as necessary
- Polyamide

Finish	Cat. No.
White	260.12.706

Order qty: Multiples of 50 pcs

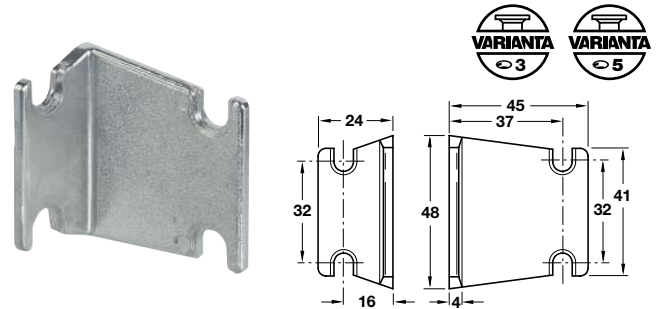


B Rear panel bracket

- For installation in system Varianta 32 Ø 3 or Ø 5 mm series-drilled holes
- Steel
- Varianta screws must be ordered separately

Finish	Cat. No.
Nickel-plated	264.24.706

Order qty: Multiples of 50 pcs

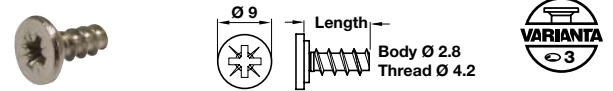


C Rear panel bracket

- For installation in system Varianta 32 Ø 3 or Ø 5 mm series-drilled holes
- Zinc alloy
- Varianta screws must be ordered separately

Finish	Cat. No.
Nickel-plated	264.24.751

Order qty: Multiples of 50 pcs

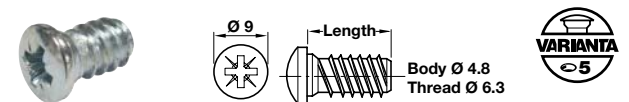


D Varianta screw, cylindrical head

- For Ø 3 mm hole
- Steel

Length	Nickel-plated	Galvanized
10.5 mm	013.20.618	013.20.814
13.5 mm	-	013.20.832

Order qty: Multiples of 100 pcs

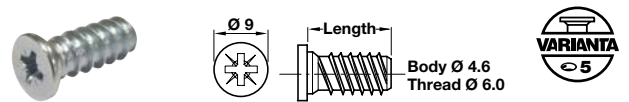


E Varianta screw, raised head

- For Ø 5 mm holes
- Steel

Length	Nickel-plated	Galvanized
10.5 mm	264.25.794	264.25.990
13.5 mm	264.25.785	-

Order qty: Multiples of 100 pcs



F Varianta screw, cylindrical head

- For Ø 5 mm holes
- Steel

Length	Nickel-plated	Galvanized
16.0 mm	013.20.743	013.20.949

Order qty: Multiples of 100 pcs