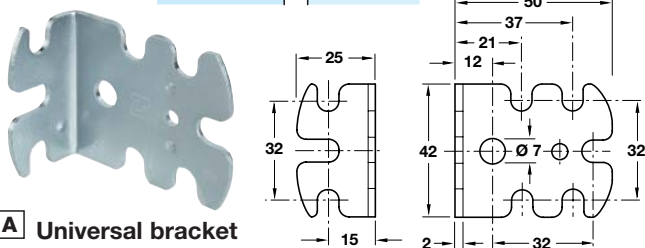
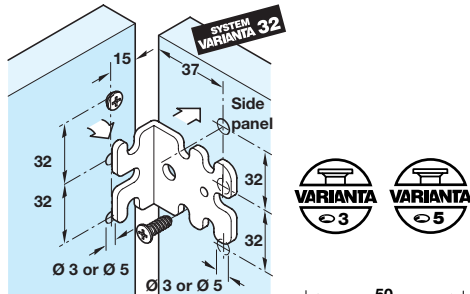
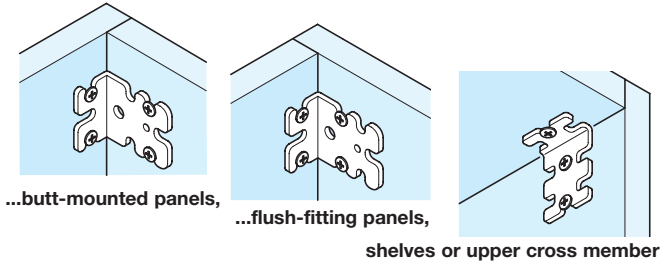


- **Universal connecting brackets**
- Suitable for the assembly of cabinet components and the installation of shelves and rear panels
- Fitted cupboards, shelf units, room dividers can be completely constructed using only this fitting
- Secured with Varianta special screws in series-drilled, $\varnothing 3$ mm or $\varnothing 4$ mm holes in accordance with System Varianta 32 or 25
- **Varianta screws must be ordered separately**, shown on page 70

Typical installation of universal brackets to secure...

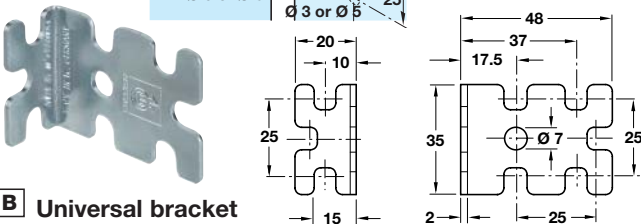
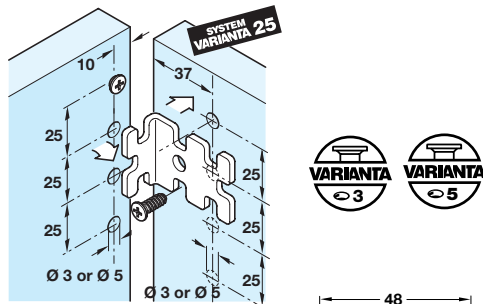


A Universal bracket

- For installation in System Varianta 32 series-drilled holes
- Steel

Finish	Offer alt. no.	Cat. No.
Bright galvanized	264.25.929	+ 264.25.909
White, plastic coated		264.25.703

Order qty: Multiples of 50 pcs

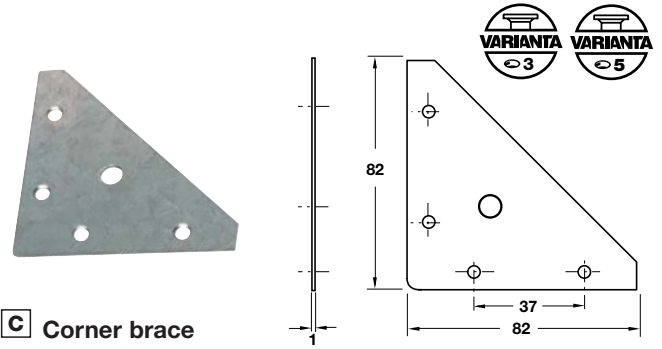


B Universal bracket

- For installation in System Varianta 25 series-drilled holes
- Steel

Finish	Cat. No.
Polished galvanized	264.28.955

Order qty: Multiples of 50 pcs



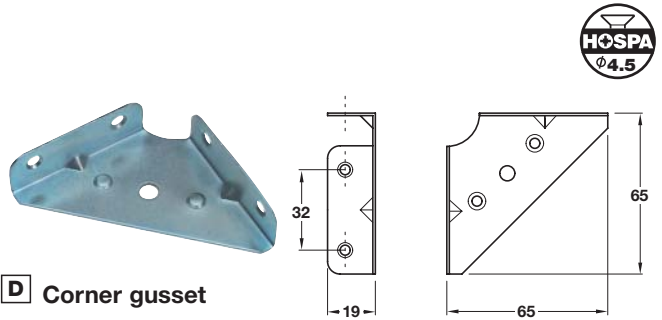
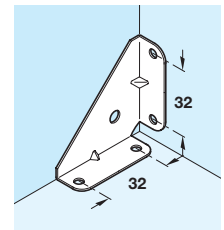
C Corner brace

- Steel

Finish	Cat. No.
Galvanized	290.08.940

Order qty: Multiples of 100 pcs

Discontinued
Discontinued when stock = 0

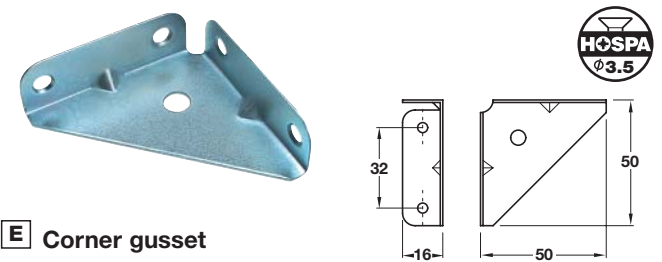


D Corner gusset

- Mild steel, (1.2 mm)

Finish	Cat. No.
Zinc-plated	260.26.530

Order qty: Multiples of 50 pcs



E Corner gusset

- Mild steel (1 mm thickness)

Finish	Cat. No.
Zinc-plated	260.26.920

Order qty: Multiples of 50 pcs