

**A Drill bit for Confirmat one-piece connector**

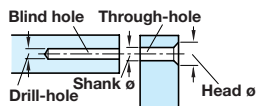
- For 38 and 50 mm Confirmat connector
- Step drill, for blind and through hole in one operation
  - 1<sup>st</sup> step Ø 4 mm drill hole (blind hole)
  - 2<sup>nd</sup> step Ø 5 mm shank (through hole)
  - Countersunk Ø 8 mm head

Special drill	HSS
For blind hole Ø 4 mm	001.41.104
For through hole Ø 5 mm	001.41.168

Order qty: 1 pc

Step drill	HSS
Cat. No.	001.22.467

Order qty: 1 pc



**B Drill bit for Confirmat one-piece connector**

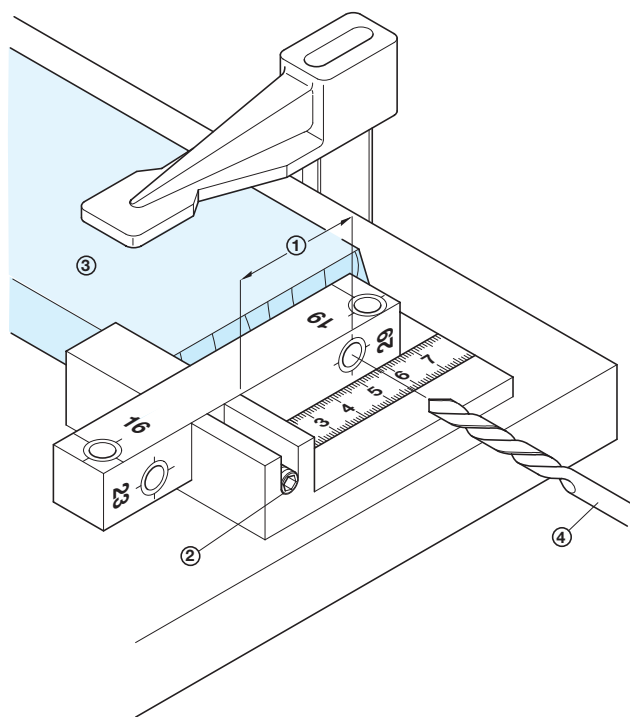
- For 38 and 50 mm Confirmat connector
- Step drill, for blind and through hole in one operation
  - 1<sup>st</sup> step Ø 5 mm drill hole (blind hole)
  - 2<sup>nd</sup> step Ø 7 mm shank (through hole)
  - Countersunk Ø 10 mm head

Special drill	HSS
For blind hole Ø 5 mm	001.41.168
For through hole Ø 7 mm	001.41.220

Order qty: 1 pc

Step drill	HSS	HM-tipped
Cat. No.	001.22.485	001.24.989

Order qty: 1 pc



**C Drill bit for Confirmat one-piece connector**

- For 70 mm Confirmat connector
- Step drill, for blind and through hole in one operation
  - 1<sup>st</sup> step Ø 5 mm drill hole (blind hole)
  - 2<sup>nd</sup> step Ø 7 mm shank (through hole)
  - Countersunk Ø 10 mm head

Step drill	HSS
Cat. No.	001.22.390

Order qty: 1 pc

TCH-FF 2010, HUK. Dimensional data not binding. We reserve the right to alter specifications without notice.