



A Hardwood dowel

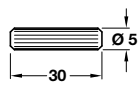
- Please note the tolerance levels for these dowels are: length +/-0.2 mm, Ø +/-0.1 mm
- Beechwood

Dowels, Ø 5, 6 and 8 mm			
Length L	Ø 5 mm	Ø 6 mm	Ø 8 mm
25 mm	006.93.010	006.93.110	006.93.210
30 mm	006.93.030	006.93.130	006.93.238
35 mm	-	-	006.93.256
40 mm	006.93.070	006.93.176	006.93.274
50 mm	-	-	006.93.292

Order qty: Multiples of 100 pcs

Dowels, Ø 10 and 12 mm		
Length L	Ø 10 mm	Ø 12 mm
30 mm	006.93.630	-
40 mm	006.93.676	006.93.770
45 mm	006.93.685	-
50 mm	006.93.694	-

Order qty: Multiples of 100 pcs

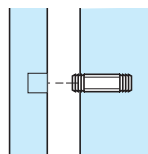
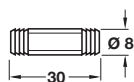


B Plastic dowel

- White

Ø	Cat. No.
5 mm	006.94.039

Order qty: Multiples of 100 pcs

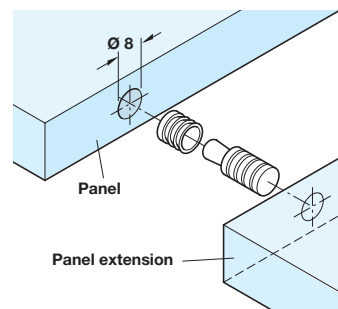
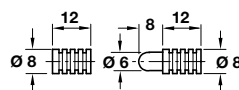


C 'EXACT' dowel connector

- For solid connections
- White plastic

Ø	Cat. No.
8 mm	267.70.700

Order qty: Multiples of 100 pcs

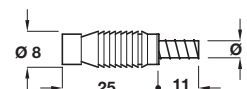
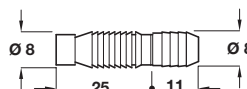
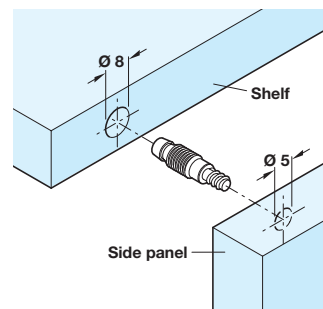
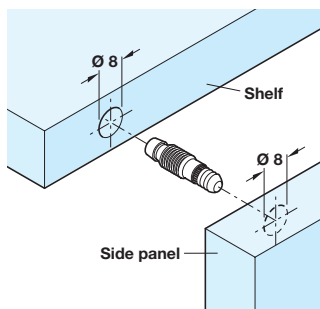


D Table top connecting fitting

- Press-fits into Ø 8 mm hole
- Especially suitable for extending tables with a central extension leaf
- Yellow chromated steel

For hole Ø	Cat. No.
8 mm	642.51.243

Order qty: Multiples of 100 pcs



E Permanent assembly dowel

- For minimum thickness 18 mm
- Valid alternative to the wooden pin and reliable as cams and dowels
- For drawers, kitchen cabinets, Hi-Fi furniture and shoe cabinets
- Ideal for both pre-assembled and dismantled furniture (DIY)
- Gluing not required
- No visible drill holes on the finished product
- Steel with green engineering plastic sleeve

For hole Ø	Cat. No.
8/5 mm	267.24.300
8/8 mm	267.26.000

Order qty: 1 pc

TCH-FF 2010, HUK. Dimensional data not binding. We reserve the right to alter specifications without notice.