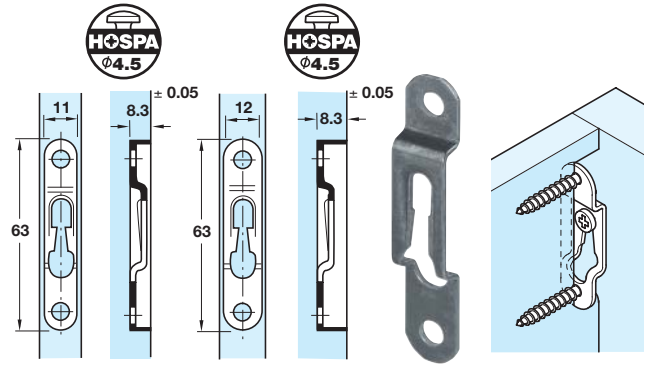


- **Mod-eez® Modular knock down fittings**
- For single and double sided constructions
- Concealed fitting
- No dowels, nails, glue needed for installation
- Ideal for flat packed furniture, grid-pattern ceiling claddings, shelf units and many other purposes
- Rapid-release and semi-permanent plates are available
- **Plates**, shown below are mortised and secured with Hospa screws
- **Retaining screws** for plates, shown on page 55 are installed in drill holes

For panels from 13 mm For panels from 16 mm



B Semi-permanent Modular plate

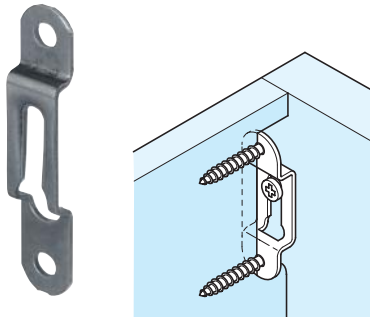
- For semi-permanent fastenings
- Bronzed steel

For panels from	Width	Cat. No.
13 mm	11 mm	262.47.094
16 mm	12 mm	262.47.058

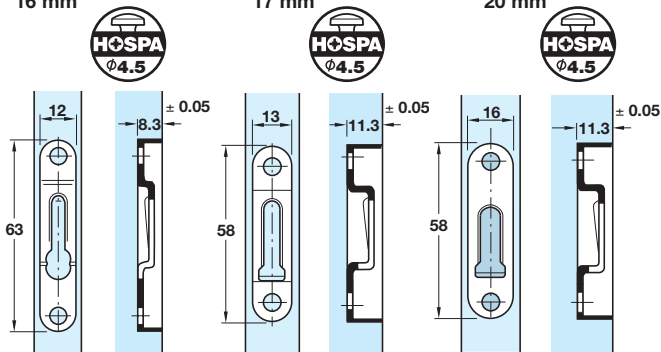
Order qty: Multiples of 100 pcs

5

Connecting Fittings



For panels from 16 mm

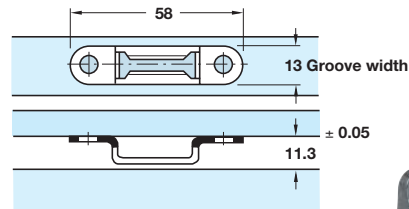
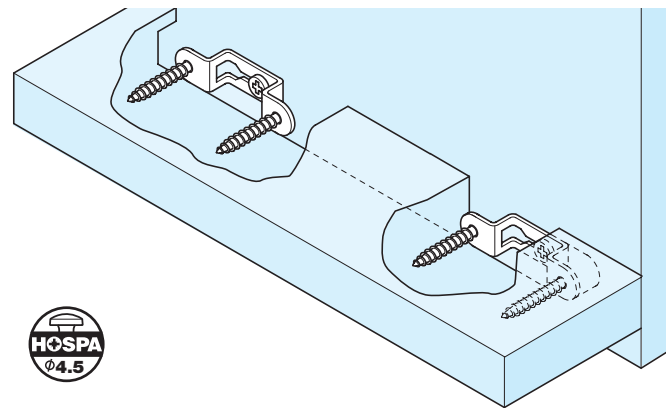


A Standard Modular plate

- For rapid release fastenings
- Bronzed steel

For panels from	Width	Cat. No.
16 mm	12 mm	262.47.049
17 mm	13 mm	262.47.021
20 mm	16 mm	262.47.076

Order qty: Multiples of 100 pcs



C Push-fit Modular plate

- For shelves
- We recommend the standard Modular Cat. No. 262.47.021 for the facing fitting
- Bronzed steel

For panels from	Width	Cat. No.
17 mm	13 mm	262.47.003

Order qty: Multiples of 100 pcs



TCH-FF 2010, HUK. Dimensional data not binding. We reserve the right to alter specifications without notice.