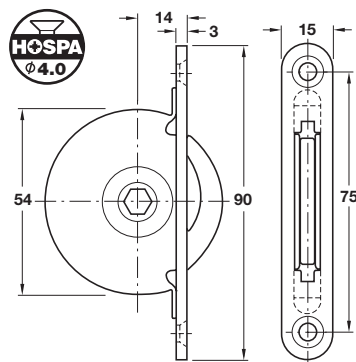
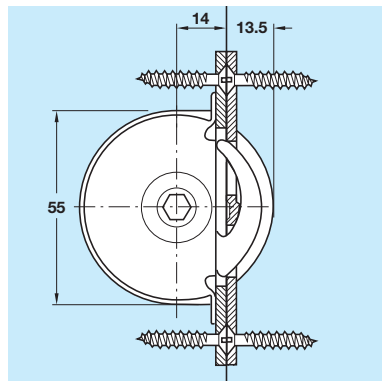


- **Giro-bolt lock range**
- Provides rapidly-made yet exceptionally strong joints
- Unlimited applications, for fixed, folding and sliding partitions as well as for assembling rows of seats

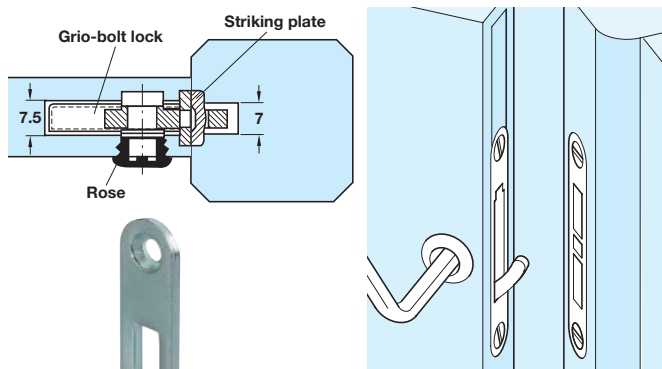


A Giro-bolt lock

- Requires machine installation
- Steel

Finish	Cat. No.
Galvanized	261.05.902

Order qty: Multiples of 10 pcs

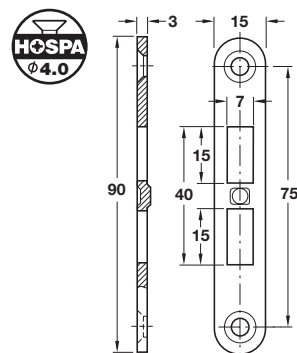


B Striking plate

- To suit Giro-bolt lock
- Requires machine installation
- Steel

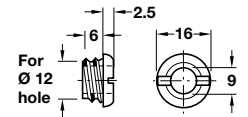
Finish	Cat. No.
Galvanized	261.05.993

Order qty: Multiples of 10 pcs



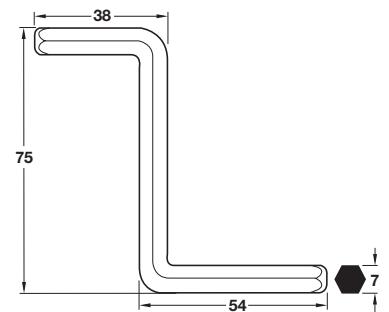
C Rose

- For Giro-bolt lock
- Convex, with thread
- Brass



Finish	Cat. No.
Bright	261.05.984

Order qty: Multiples of 10 pcs

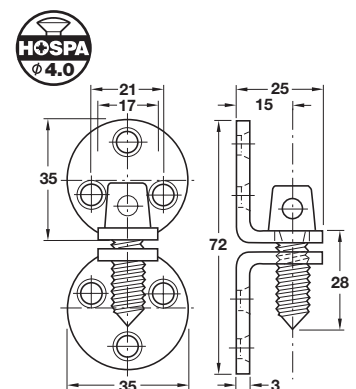


D Allen key

- To secure or release the Giro-bolt lock
- Steel

Finish	Cat. No.
Bright	261.05.975

Order qty: 1 pc



E Hamburg-style connector

- Heavy-duty fitting which is suitable for a wide variety of applications
- Comprises two Ø 35 mm mounting plates, surface mounted or recessed which are pulled together with a capstan screw to make a permanent, tight-fitting joint, the capstan screw head is tightened with a steel pin
- Steel

Finish	Cat. No.
Brass-plated	262.54.500

Order qty: 1 pc

TCH-FF 2010, HUK. Dimensional data not binding. We reserve the right to alter specifications without notice.