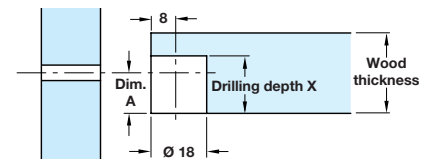


- **TAB V shelf connector**
- Excellent angular rigidity and pull-out resistance
- Pulls shelf onto side panel
- Locks shelf to side panel and prevents tipping
- Boss inserts lie flush, allowing shelves to be stacked

**Drilling depth X** = depending on housing type and wood thickness (see ordering table)  
**Dimension A** = 1/2 wood thickness (see ordering table)

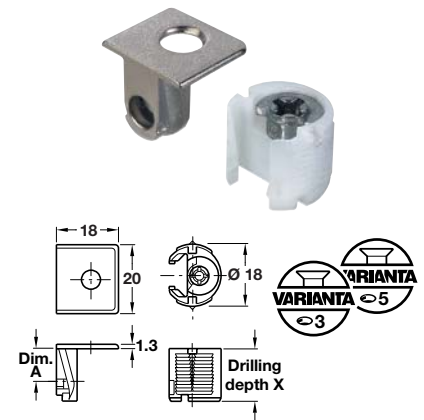


## A TAB V shelf connector, screw fixing

- Screw mounted into **Ø 3** or **5 mm** holes
- Zinc alloy support
- Plastic boss insert with zinc alloy tensioner
- For wood thicknesses from 16-32 mm

For wood thicknesses from	Dim. A	Drilling depth X	Cat. No.	
			Nickel-plated	Black
16 mm	8.0 mm	13.0 mm	263.66.530	263.66.334
19 mm	9.5 mm	15.0 mm	263.66.558	263.66.352
23 mm	11.5 mm	17.0 mm	263.66.576	263.66.370
26 mm	13.0 mm	18.5 mm	263.66.585	263.66.389
29 mm	14.5 mm	20.0 mm	263.66.594	263.66.398
32 mm	16.0 mm	22.0 mm	263.66.601	263.66.405

Order qty: Multiples of 100 pcs

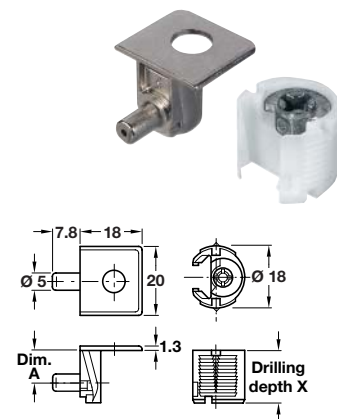


## B TAB V shelf connector, plug-fit

- Plug-fit into **Ø 5 mm** holes
- Zinc alloy support
- Plastic boss insert with zinc alloy tensioner
- For wood thicknesses from 16-32 mm

For wood thicknesses from	Dim. A	Drilling depth X	Cat. No.	
			Nickel-plated	Black
16 mm	8.0 mm	13.0 mm	263.67.537	263.67.331
19 mm	9.5 mm	15.0 mm	263.67.555	263.67.359
23 mm	11.5 mm	17.0 mm	263.67.573	263.67.377
26 mm	13.0 mm	18.5 mm	-	263.67.386
29 mm	14.5 mm	20.0 mm	263.67.591	263.67.395
32 mm	16.0 mm	22.0 mm	-	263.67.402

Order qty: 100 pcs

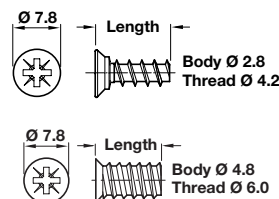


## C Varianta screw, countersunk head

- For **Ø 3** or **Ø 5 mm** hole
- With PZ2 cross-slot
- Steel

Finish	Galvanized	Nickel-plated
	Hole Ø 3 mm	Hole Ø 5 mm
Length		
10.5 mm	013.15.617	013.05.719
13.5 mm	013.15.626	340.29.724
16.0 mm	013.15.635	013.15.733

Order qty: Multiples of 100 pcs



## D Insertion tool for shelf connector

- Hardwood handle with steel ring reinforcement, plastic mount to accommodate boss insert

	Cat. No.
Insertion tool	001.32.749

Order qty: 1 pc

## E One way insertion tool

- For shelf connectors
- Black plastic

	Cat. No.
One way insertion tool	001.32.758

Order qty: Multiples of 100 pcs

- For easy and precise insertion of boss inserts
- The tools incorporate a special recess to accommodate the boss insert
- Once the tool has been aligned parallel to the edge of the cabinet, the boss insert is installed with light hammer blows

