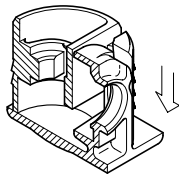


• TAB and TAB V range of shelf connector:

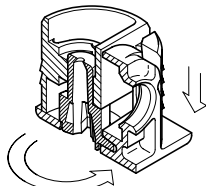
TAB shelf connector shown below

TAB V shelf connector shown on page 37

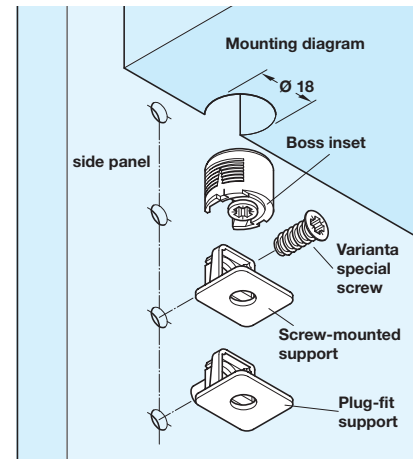
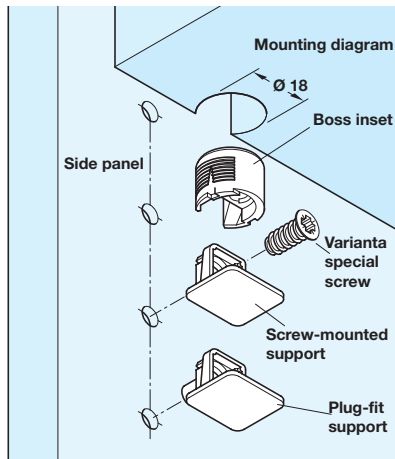
Unitool TAB V drilling jig shown on page 38



TAB shelf connectors
consisting of:
support and boss insert
without tensioning element



TAB V shelf connectors
consisting of:
support and boss insert
with tensioning element



• TAB shelf connector

- This fitting should be used in situations where shelves are to be rapidly removed, and if required installed at a different level
- Excellent rigidity at joints
- Pulls shelf onto side panel
- Boss inserts lie flush, allowing shelves to be stacked

• TAB shelf connector

- Pulls shelf onto side panel
- Shelves can be quickly removed and replaced at different levels
- Support section, screw or dowel mounting
- Boss insert without tensioning element
- For board thicknesses 16 to 26 mm

• TAB V shelf connector

- Pulls shelf onto side panel, locks shelf to side panel and prevents tipping
- Support section, screw or dowel mounting
- Boss insert with tensioning element
- For board thicknesses 16 to 26 mm

5

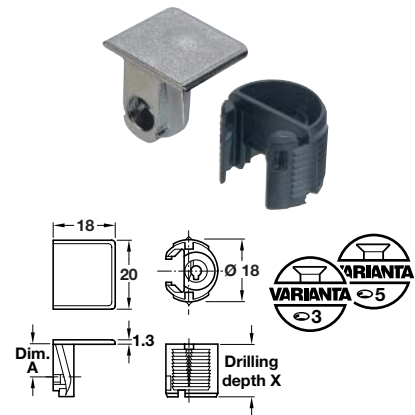
Connecting Fittings

A TAB shelf connector, screw fixing

- Screw mounted into $\varnothing 3$ or 5 mm holes
- Zinc alloy support
- Plastic boss insert
- For wood thicknesses from 16-26 mm

For wood thicknesses from	Dim. A	Drilling depth X	Cat. No.	
			Nickel-plated	
16 mm	8.0 mm	13.0 mm	263.73.535	
19 mm	9.5 mm	15.0 mm	263.73.553	
23 mm	11.5 mm	17.0 mm	263.73.571	
26 mm	13.0 mm	18.5 mm	263.73.580	

Order qty: Multiples of 100 pcs

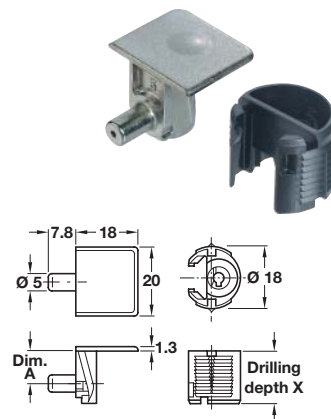


B TAB shelf connector, plug-fit

- Plug-fit into $\varnothing 5$ mm holes
- Zinc alloy support
- Plastic boss insert
- For wood thicknesses from 16-26 mm

For wood thicknesses from	Dim. A	Drilling depth X	Cat. No.	
			Nickel-plated	Black
16 mm	8.0 mm	13.0 mm	263.74.532	-
19 mm	9.5 mm	15.0 mm	263.74.550	-
23 mm	11.5 mm	17.0 mm	-	263.74.372
26 mm	13.0 mm	18.5 mm	-	263.74.381

Order qty: Multiples of 100 pcs

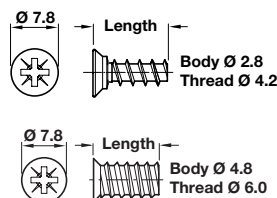


C Varianta screw, countersunk head

- For $\varnothing 3$ or $\varnothing 5$ mm hole
- With PZ2 cross-slot
- Steel

Finish	Galvanized	Nickel-plated
Length	Hole $\varnothing 3$ mm	Hole $\varnothing 5$ mm
10.5 mm	013.15.617	013.05.719
13.5 mm	013.15.626	340.29.724
16.0 mm	013.15.635	013.15.733

Order qty: Multiples of 100 pcs



TCH-FF 2010, HUK. Dimensional data not binding. We reserve the right to alter specifications without notice.